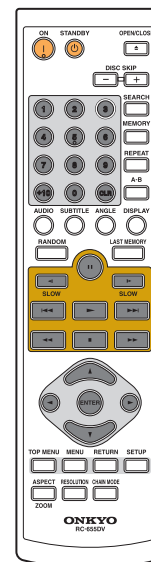
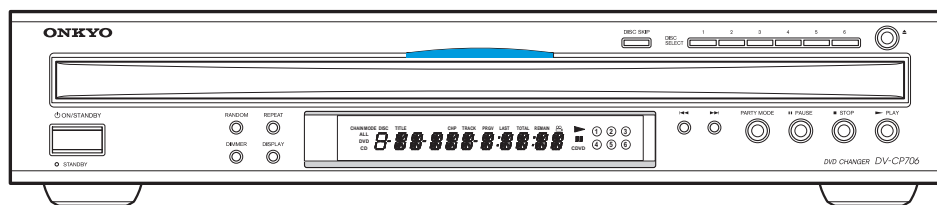


ONKYO SERVICE MANUAL

DVD CHANGER MODEL DV-CP706



RC-655DV

Black and Silver models

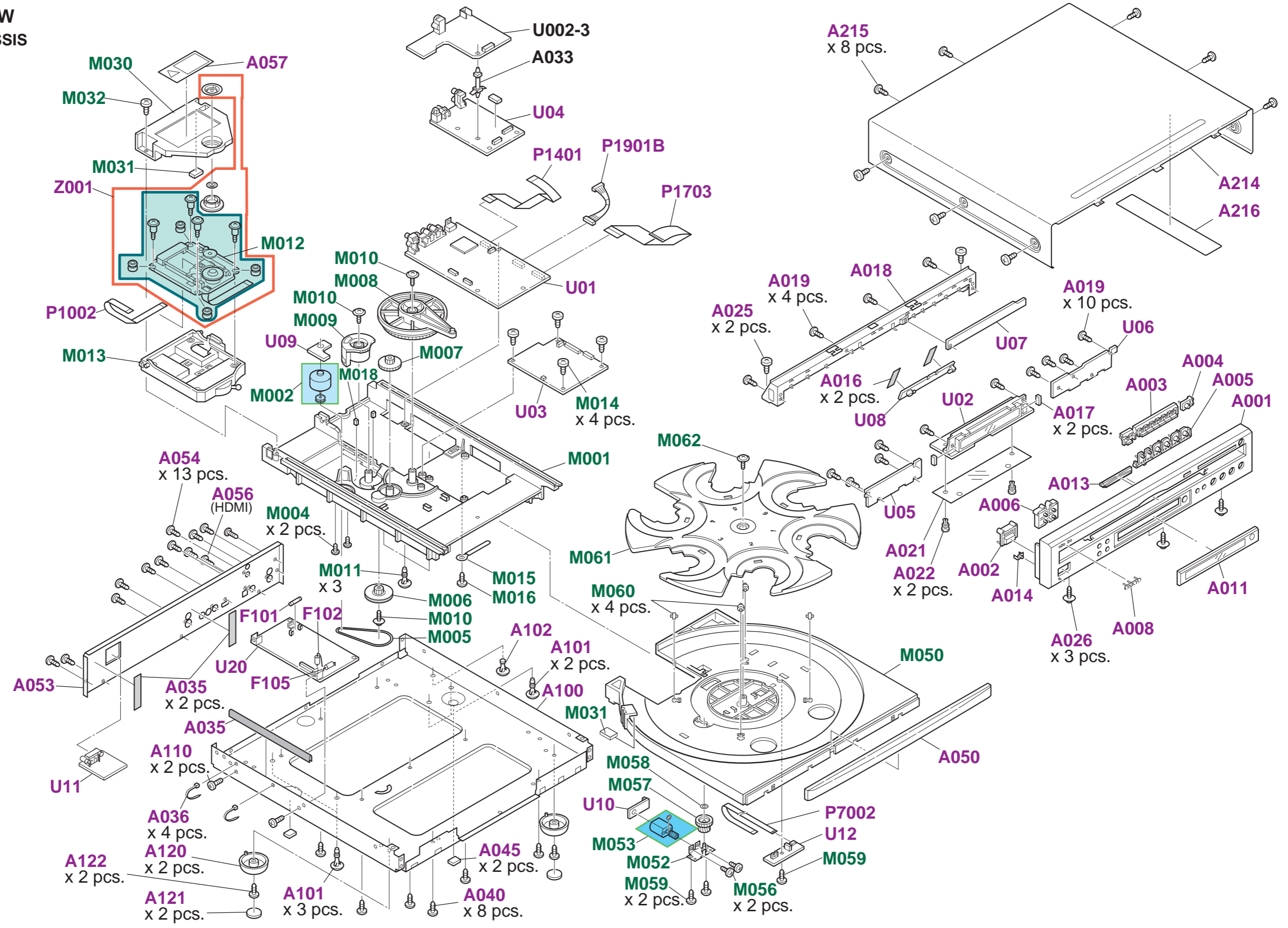
BMDD, SMDD	120V AC, 60Hz
BMUA, SMUA	100-240V AC, 50Hz

SAFETY-RELATED COMPONENT WARNING!!

COMPONENTS IDENTIFIED BY MARK \triangle ON THE SCHEMATIC DIAGRAM AND IN THE PARTS LIST ARE CRITICAL FOR RISK OF FIRE AND ELECTRIC SHOCK. REPLACE THESE COMPONENTS WITH ONKYO PARTS WHOSE PART NUMBERS APPEAR AS SHOWN IN THIS MANUAL.

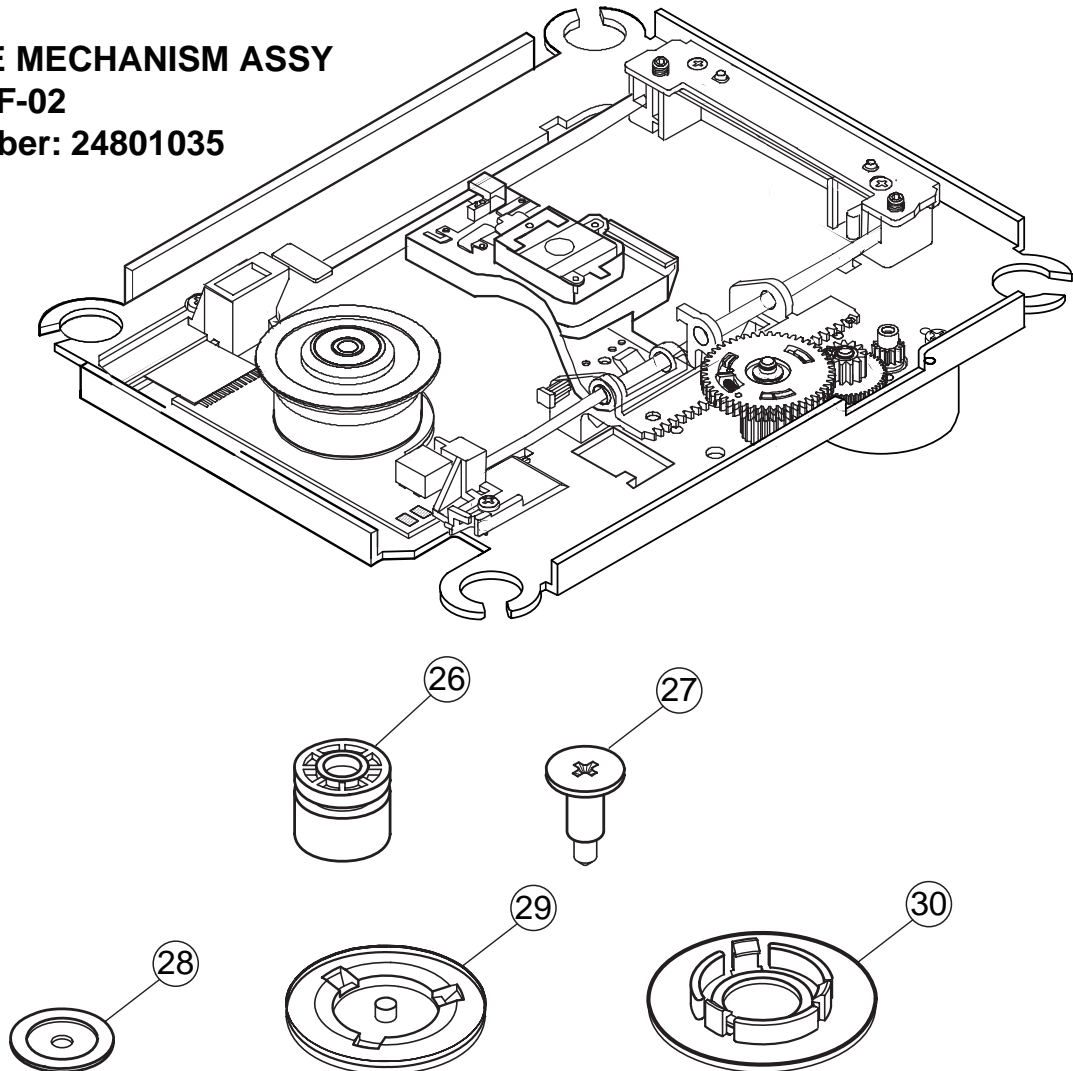
MAKE LEAKAGE-CURRENT OR RESISTANCE MEASUREMENTS TO DETERMINE THAT EXPOSED PARTS ARE ACCEPTABLY INSULATED FROM THE SUPPLY CIRCUIT BEFORE RETURNING THE APPLIANCE TO THE CUSTOMER.

EXPLODED VIEW
CHANGER CSHASSIS



**EXPLODED VIEW
TRAVERSE MECHANISM**

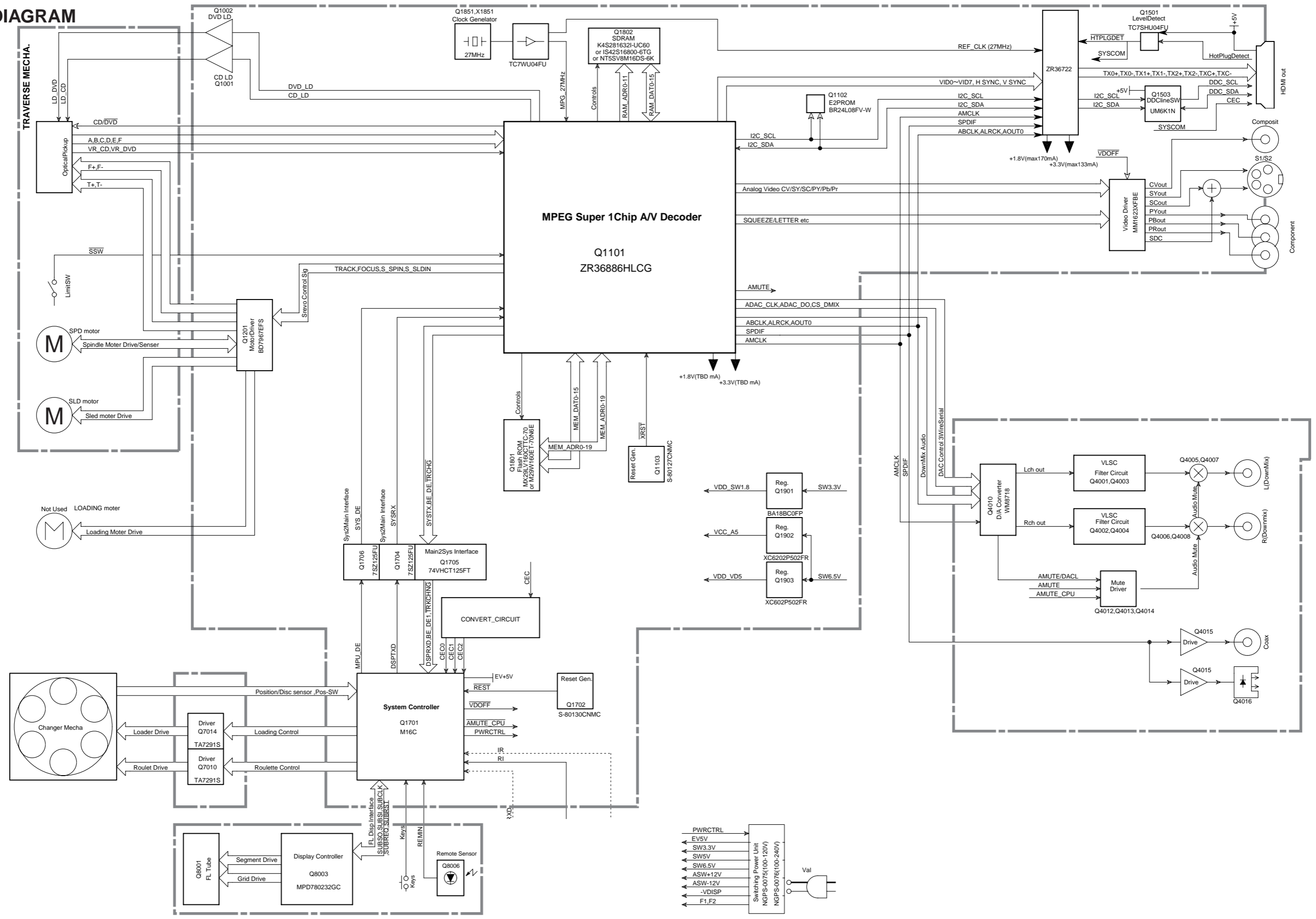
**TRAVERSE MECHANISM ASSY
TDT-2100SF-02
PART Number: 24801035**



PARTS LIST

NO.	PART CODE	PART NAME
26	C2G083	DAMPER-IDLE
27	C1H012	SCREW-DAMPER-CR3
28	A7P085	CLAMP-T-M12H
29	A7G202	CLAMPER-H
30	A7G203	CLAMPER-L

BLOCK DIAGRAM



SHEMATIC DIAGRAM-1

DVD MAIN

CIRCUIT PC BOARD-1

NADG-9634

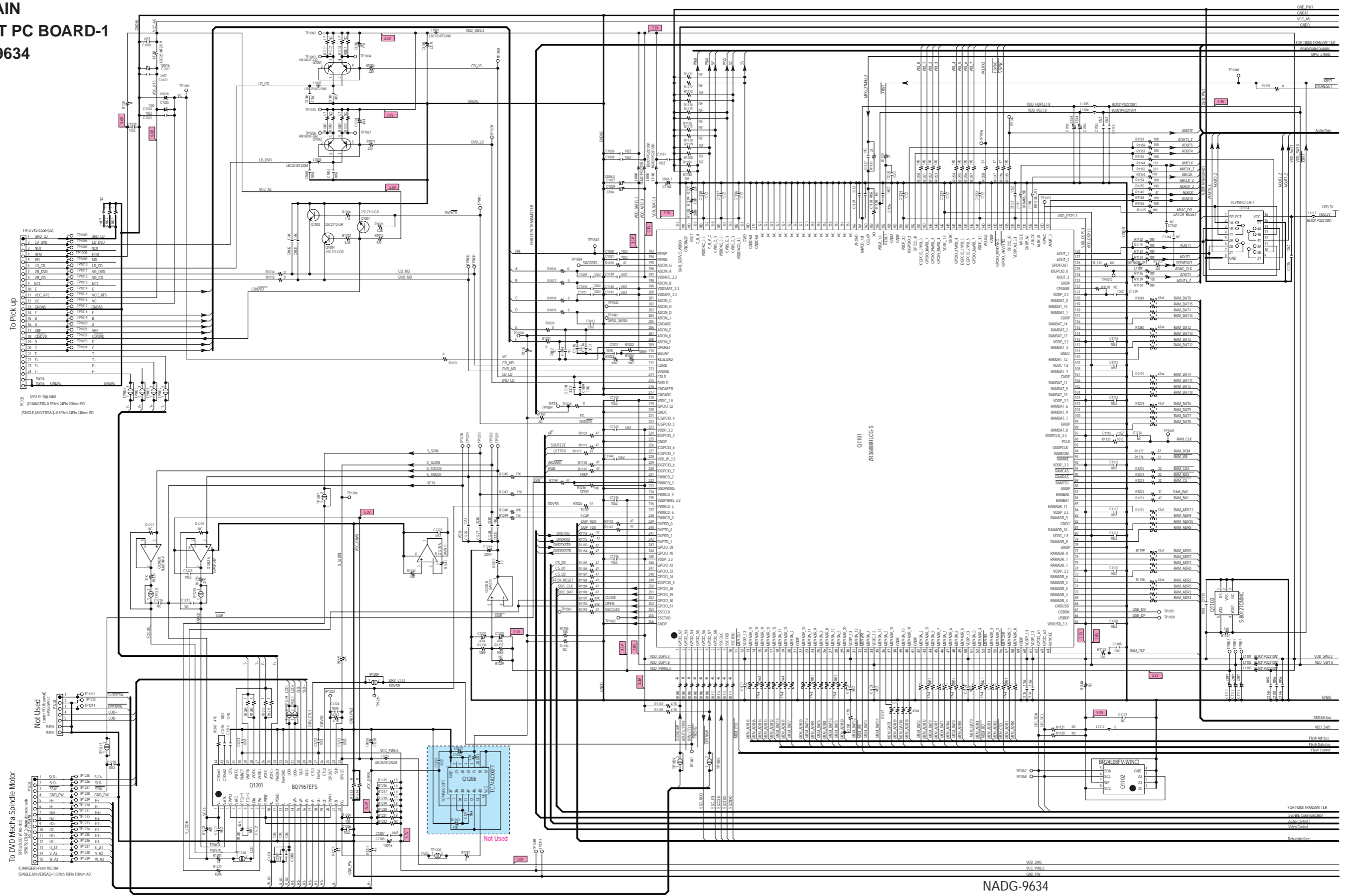
1

2

3

4

5



NADG-9634

A B C D E F G H

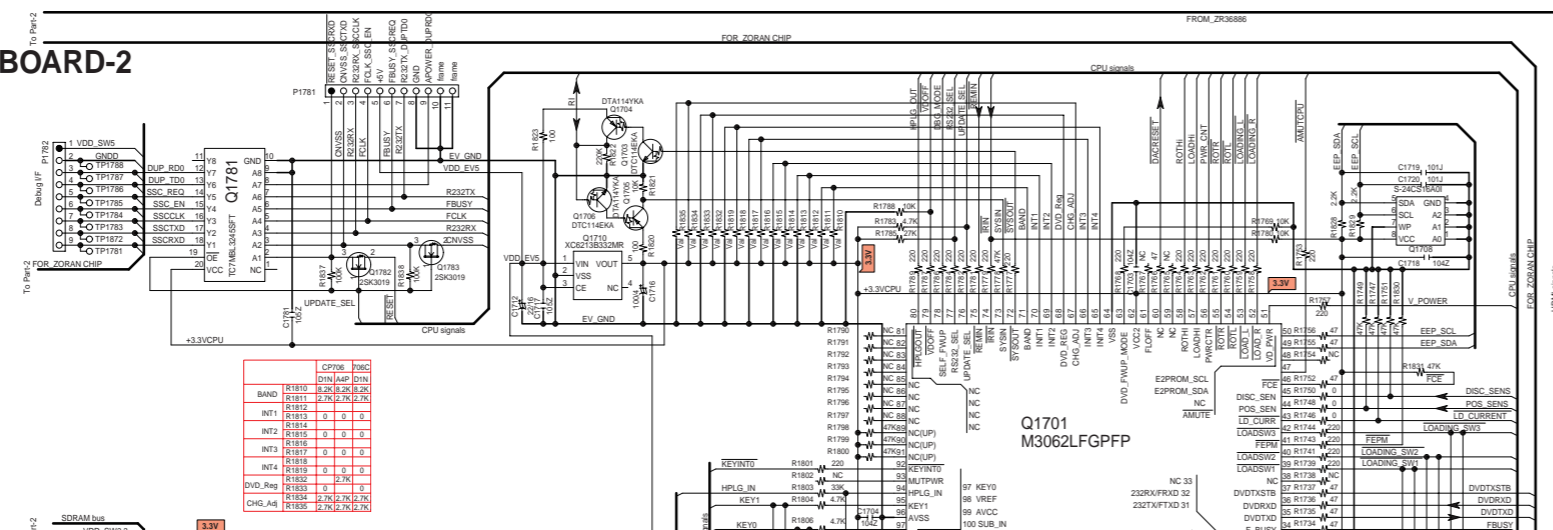
SCHEMATIC DIAGRAM-2

DVD MAIN

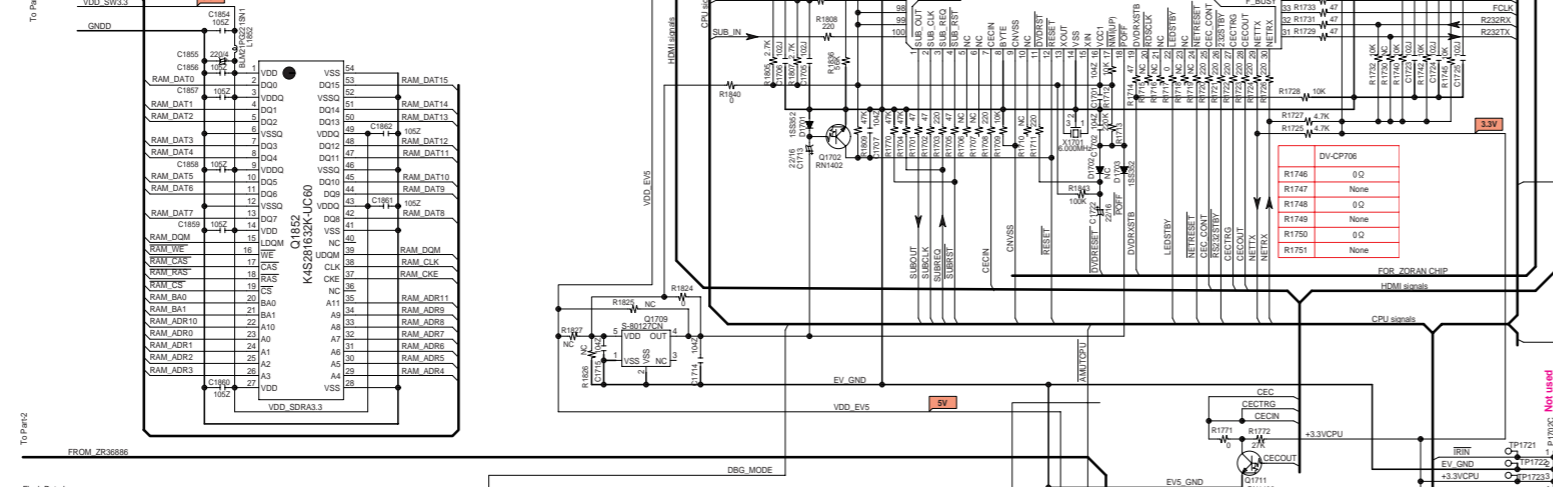
CIRCUIT PC BOARD-2

NADG-9634

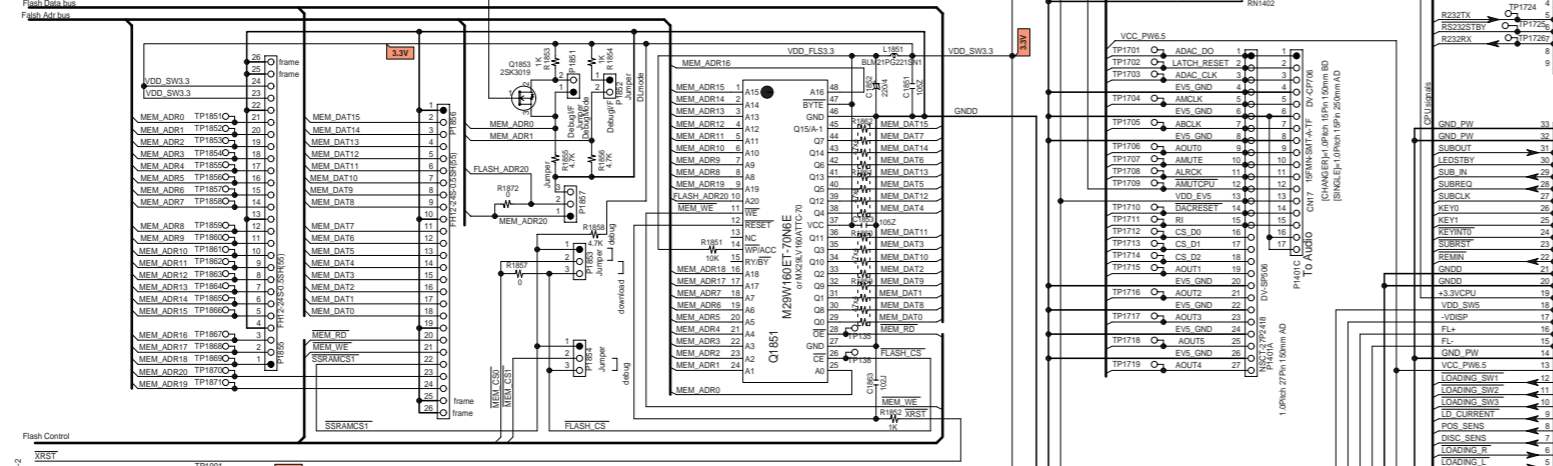
1



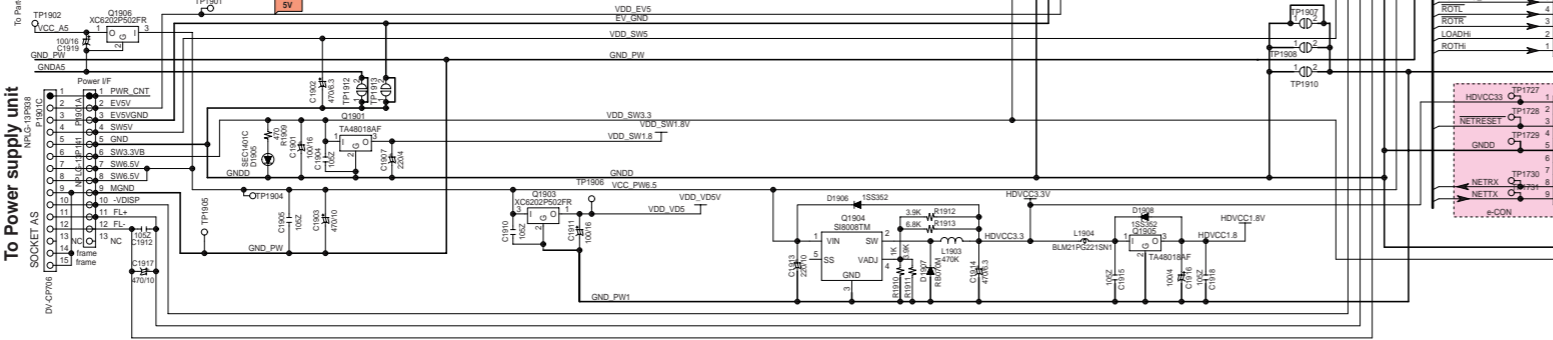
2



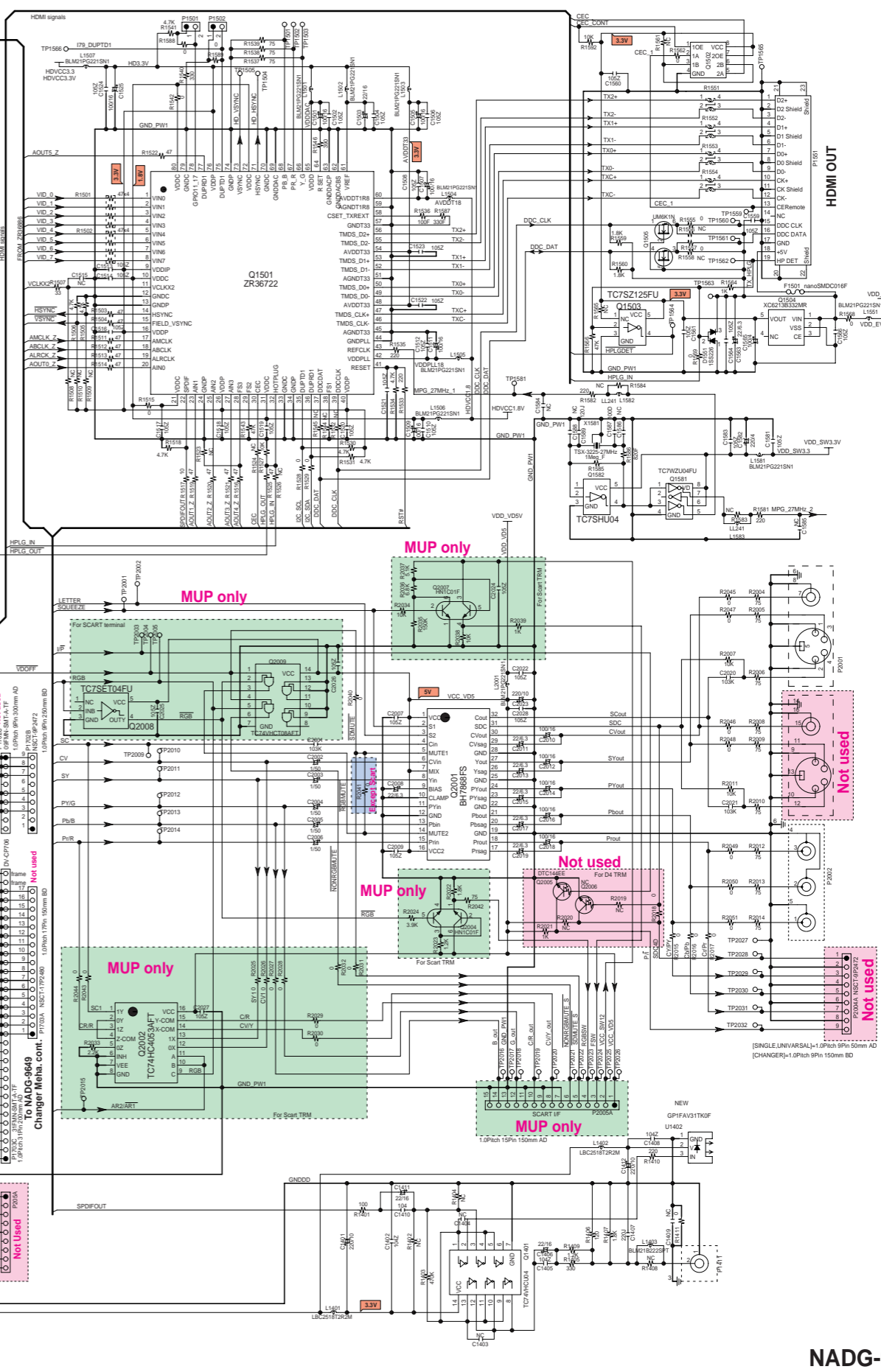
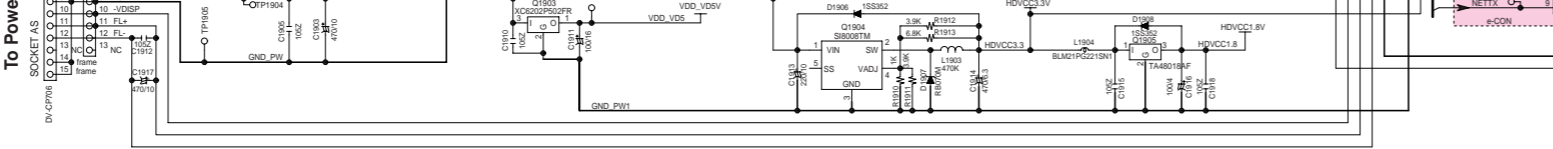
3



4

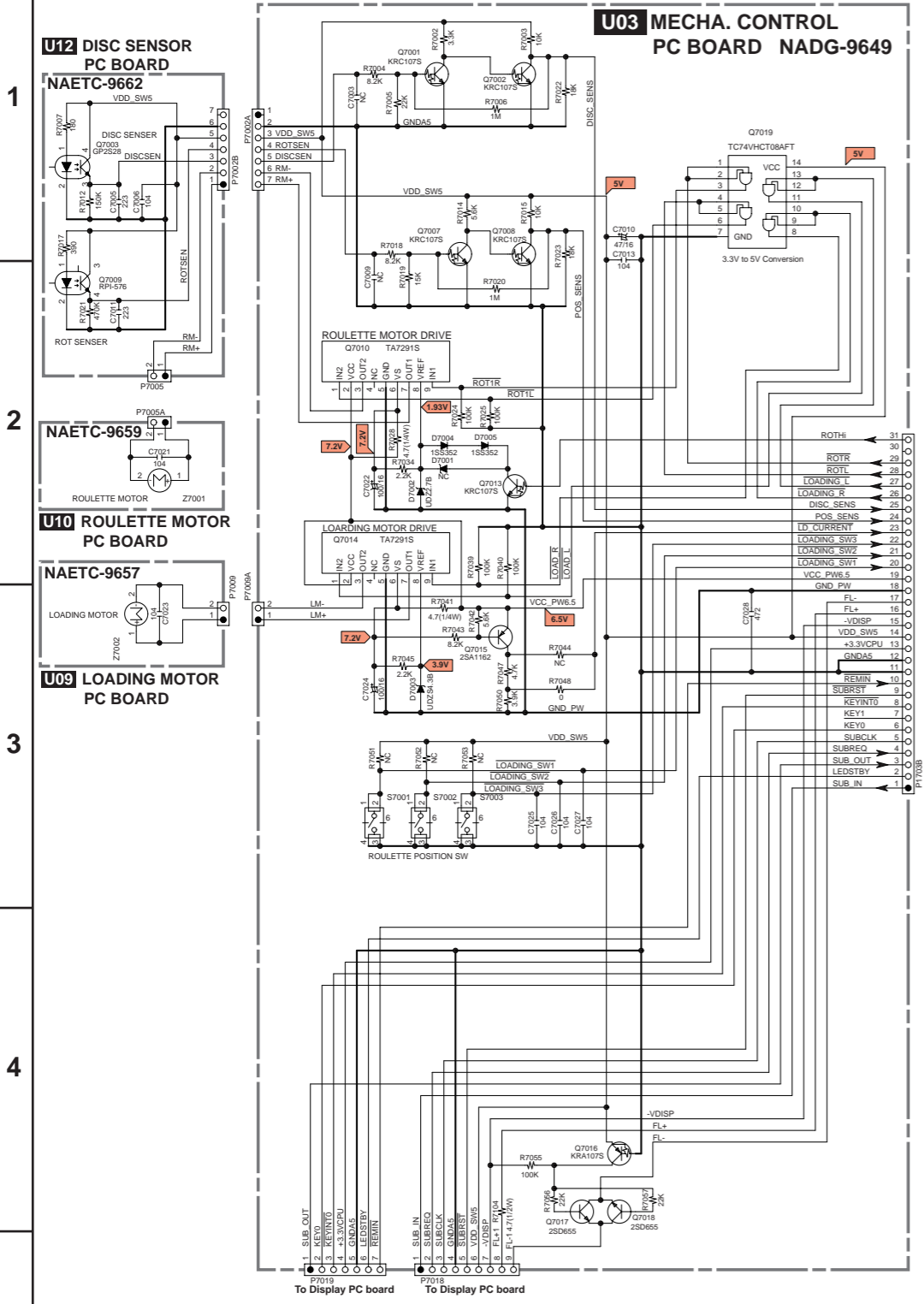


5



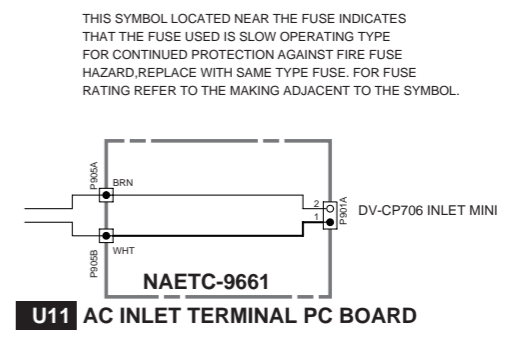
A B C D E F G H

SCHEMATIC DIAGRAM-3



NOTE

- THE COMPONENTS IDENTIFIED BY MARK Δ ARE CRITICAL FOR SAFETY. REPLACE ONLY WITH PART NUMBER SPECIFIED.
- VOLTAGE (MEASURED WITH VOLTMETER) $\langle \text{---} \rangle$ IS DC VOLTAGE. (NO INPUT SIGNAL)
- ELECTROLYTIC CAPACITORS $\langle \text{---} \rangle$ JARE IN $\mu\text{F}/\text{V}$.
- ALL CAPACITORS ARE IN $\mu\text{F}/50\text{V}$ UNLESS OTHERWISE NOTED.
EX) 030 = 3 μF 330 = 33 μF 331 = 330 μF 333 = 0.033 μF
- ALL RESISTORS ARE IN OHMS $\frac{1}{4}$ WATTS UNLESS OTHERWISE NOTED. THE THICK LINES ON PC BOARD ARE THE PRINTING SIDE OF THE PARTS.
EX) $\square \circ \square$ PRINTING SIDE
- CIRCUIT IS SUBJECT TO CHANGE FOR IMPROVEMENT.



1

2

3

4

5

from DVD Main PC Board
1. 09mm x 31Pin: 20mm/AD

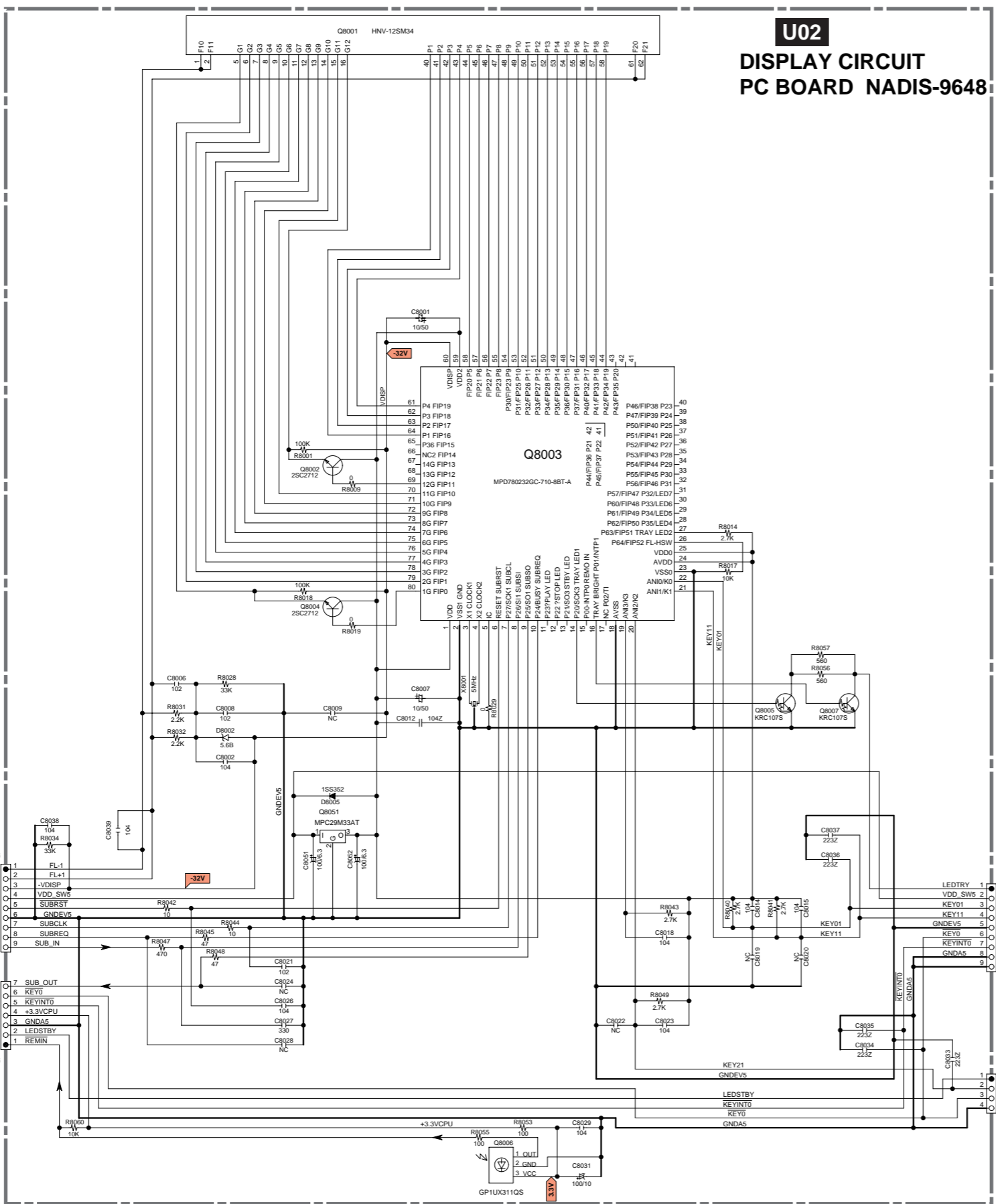
from DVD Main PC board
1. 09mm x 45Pin: 150mm/AD

ch
Rch

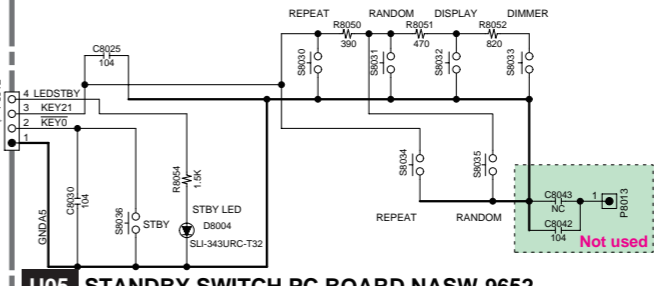
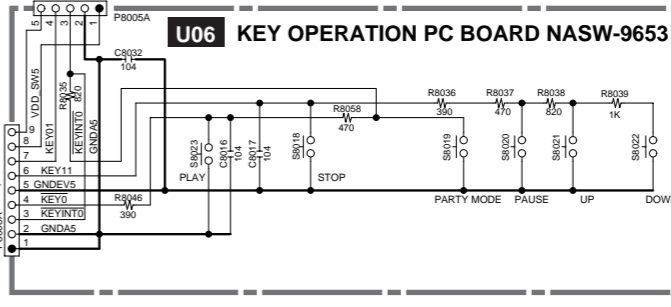
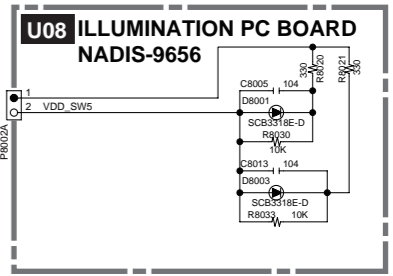
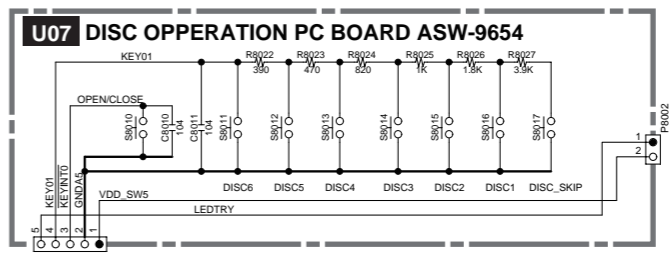
RI
P4005

SHEMATIC DIAGRAM-4

U02 : DISPLAY
CIRCUIT PC BOARD
NADIS-9648



U02
DISPLAY CIRCUIT
PC BOARD NADIS-9648



U05 STANDBY SWITCH PC BOARD NASW-9652

1

2

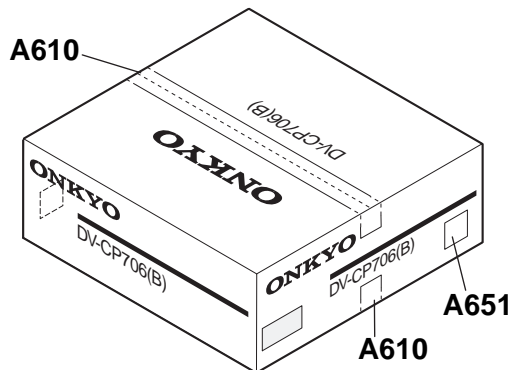
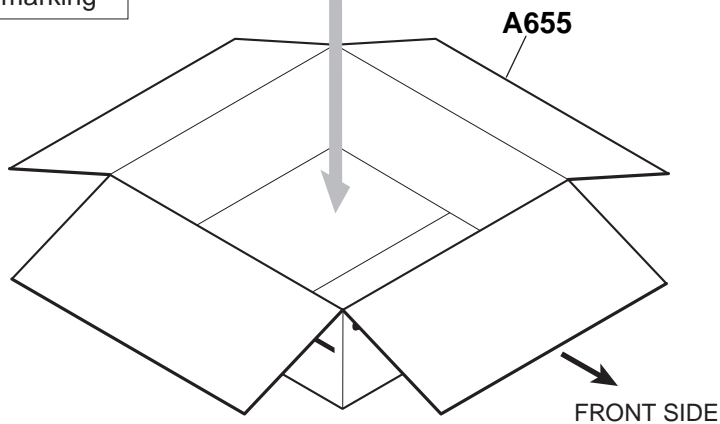
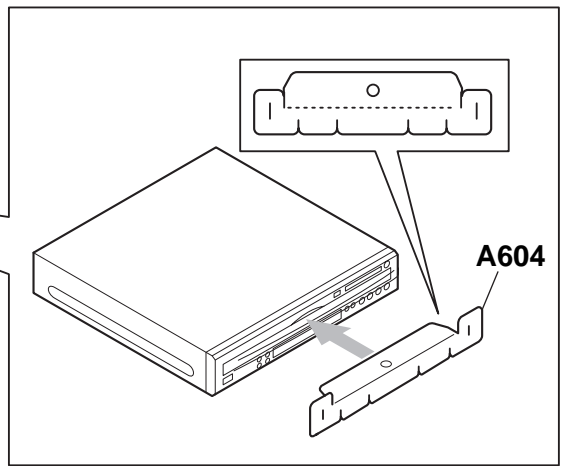
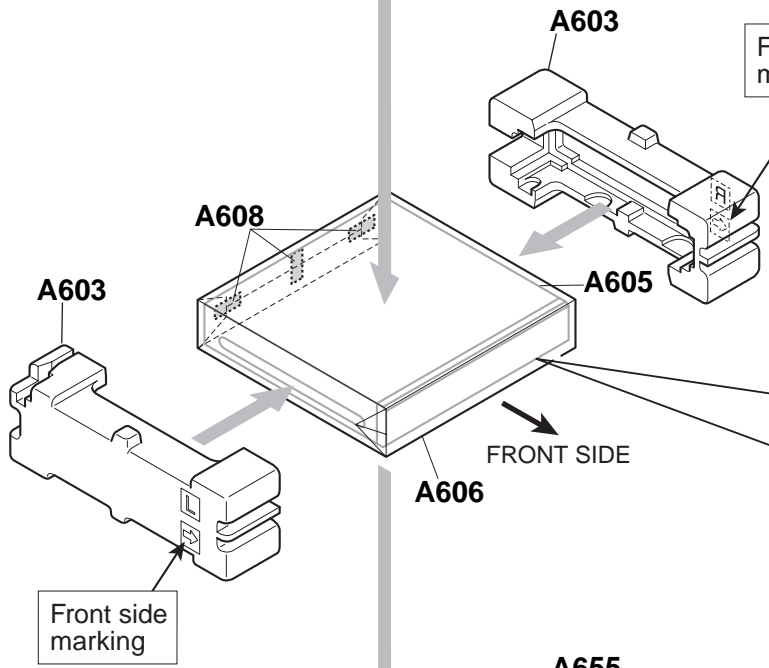
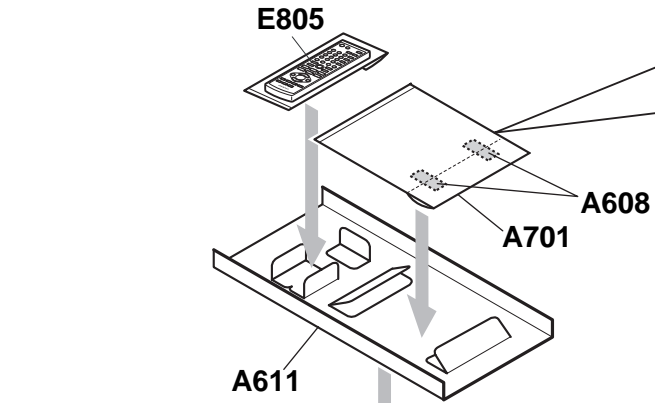
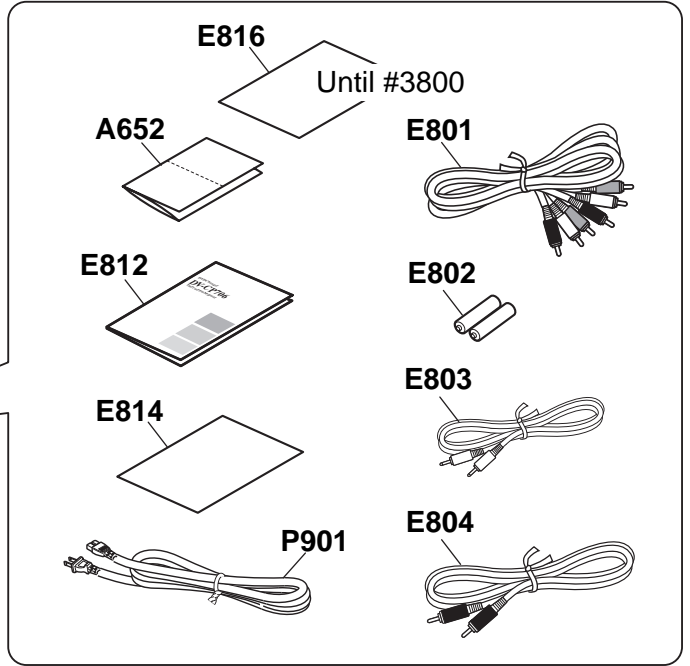
3

4

5

PACKING PROCEDURE

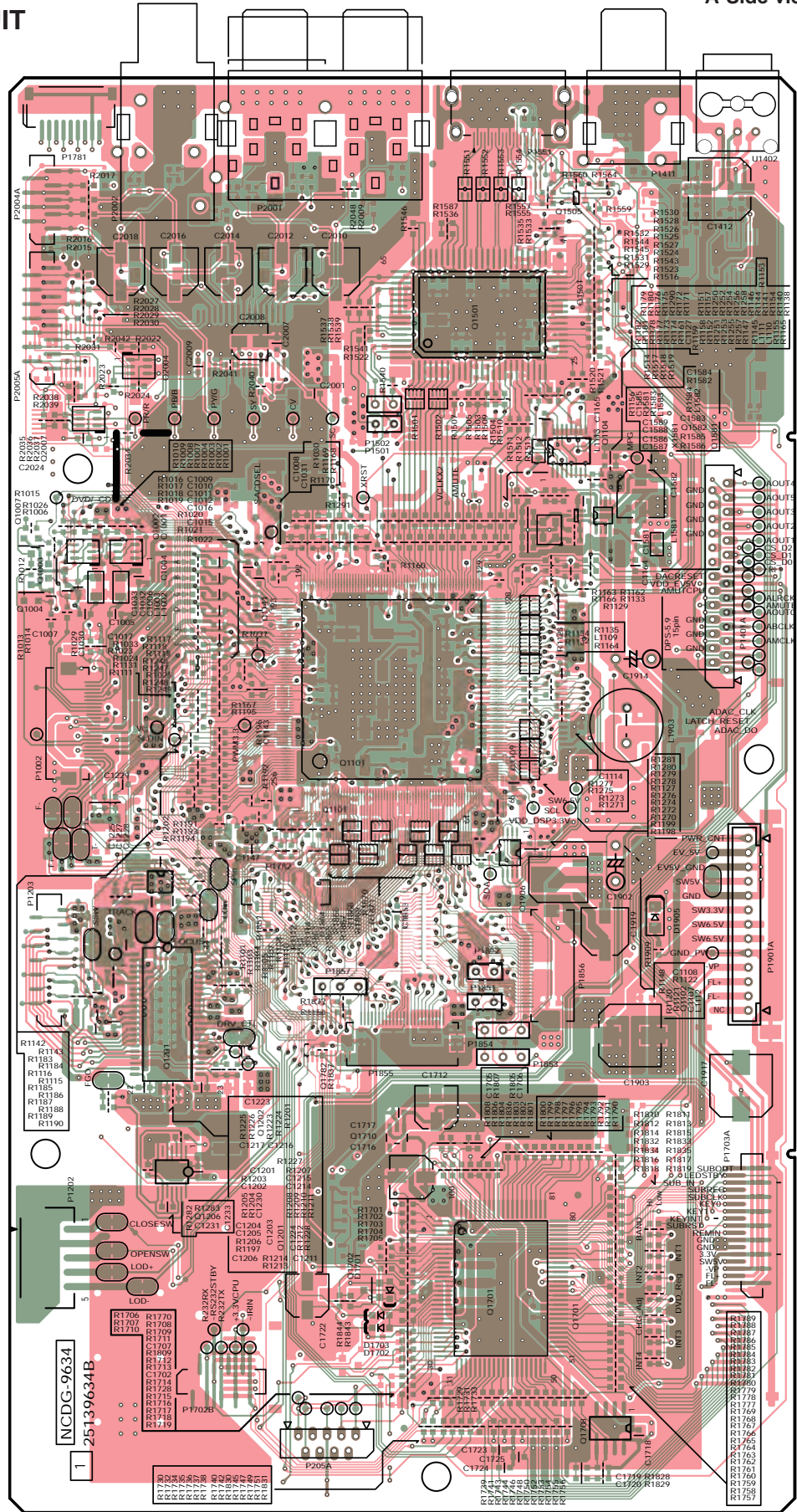
Accessories bag



PRINTED CIRCUIT BOARD VIEW-1a

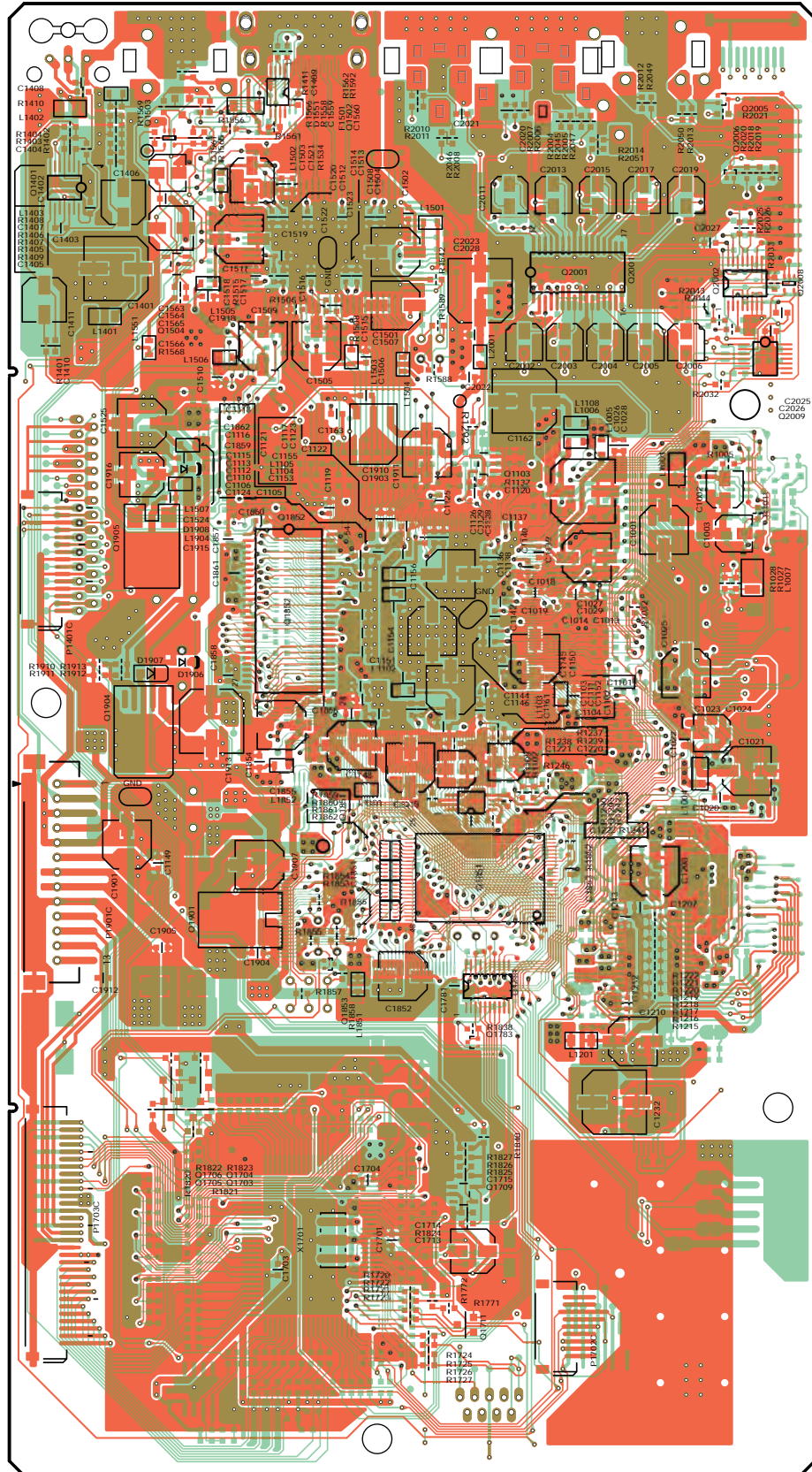
U01 : DVD MAIN CIRCUIT
PC BOARD
(NADG-9634-1A/1B)

A-Side view



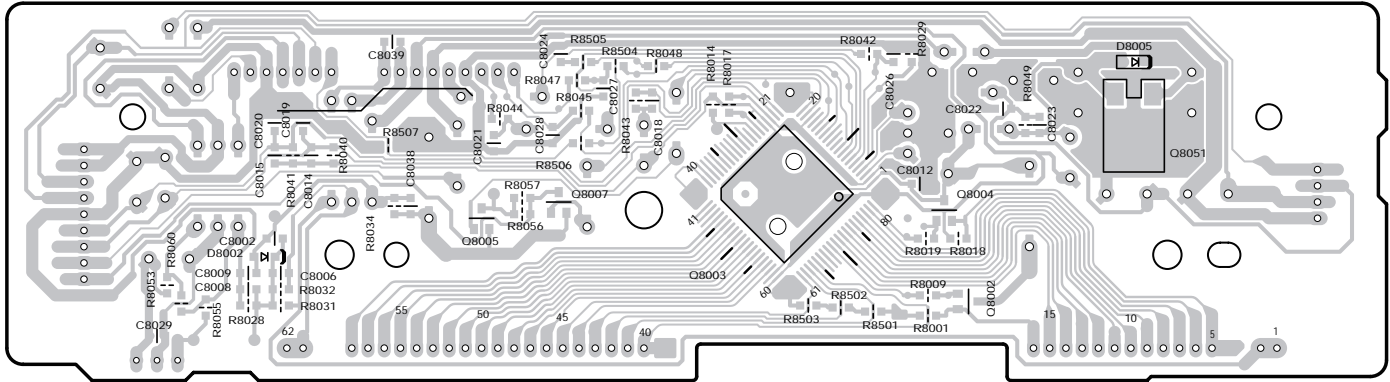
PRINTED CIRCUIT BOARD VIEW-1b
U01 : DVD MAIN CIRCUIT
PC BOARD
(NADG-9634-1A/1B)

B-Side view

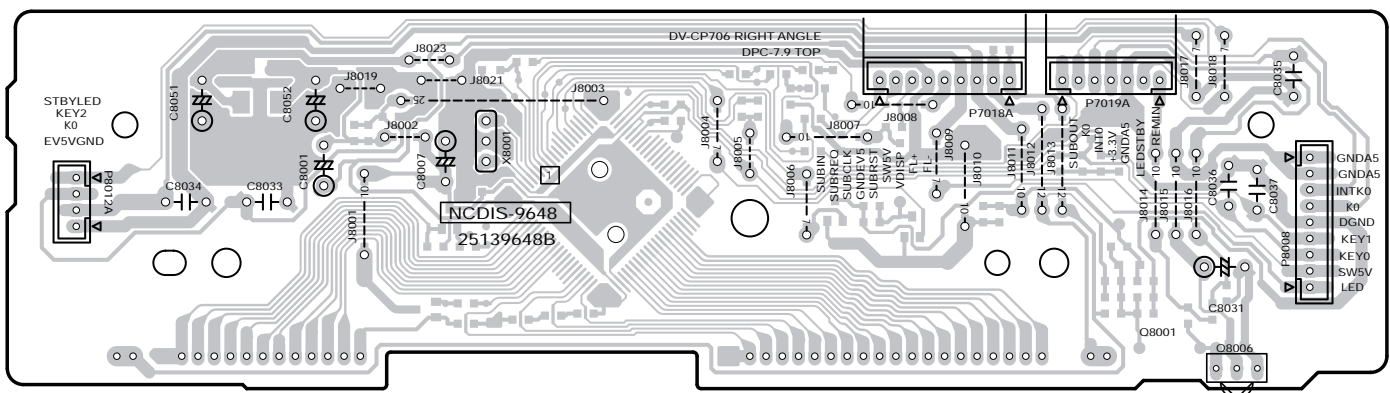


PRINTED CIRCUIT BOARD VIEW-2

U02 : DISPLAY CIRCUIT PC BOARD (NADIS-9648-1A/1C)



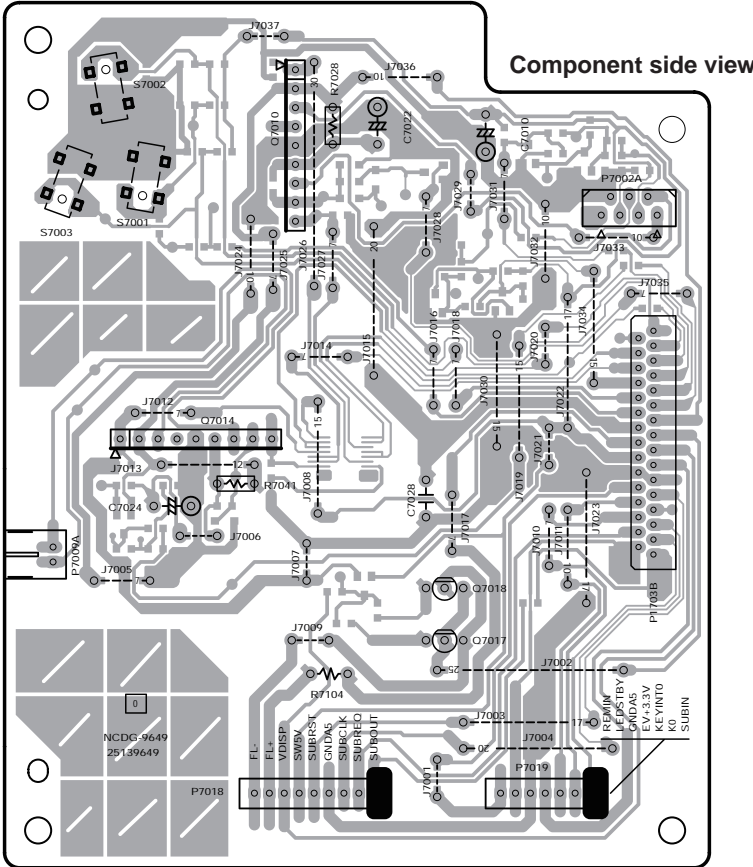
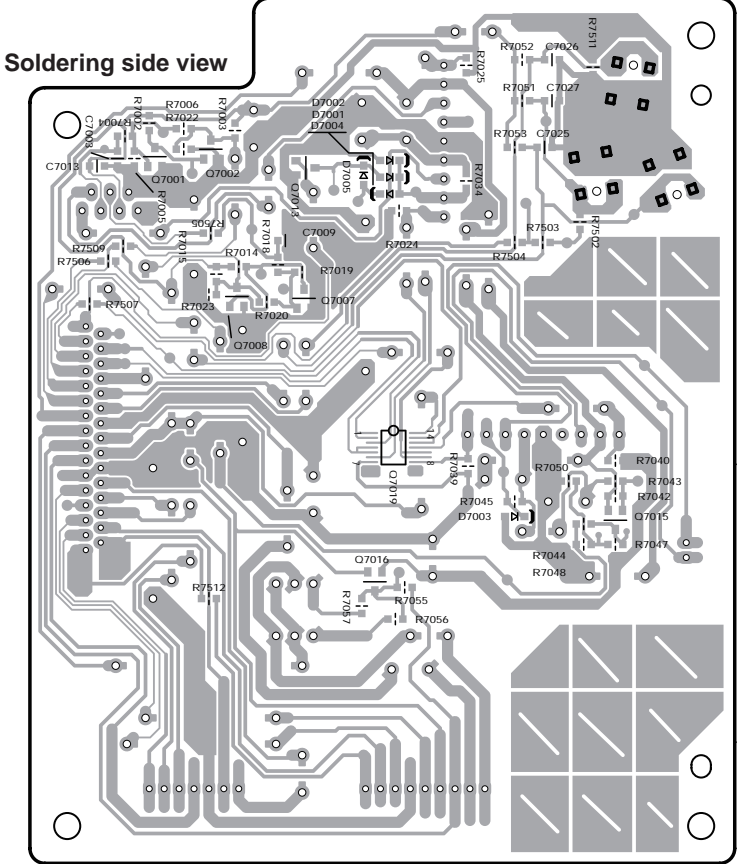
Soldering side view



Component side view

PRINTED CIRCUIT BOARD VIEW-3

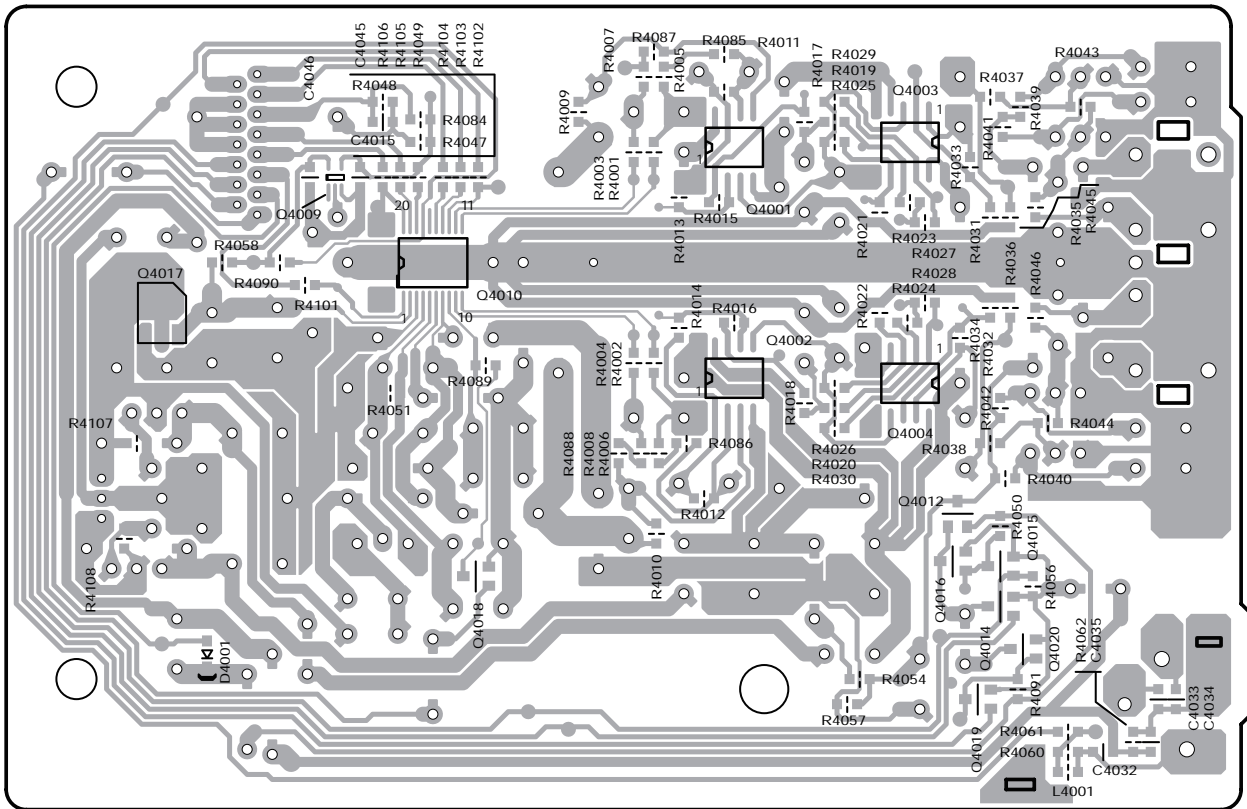
U03 : MECHA. CONTROL PC BOARD (NADG-9649-1A/1C)



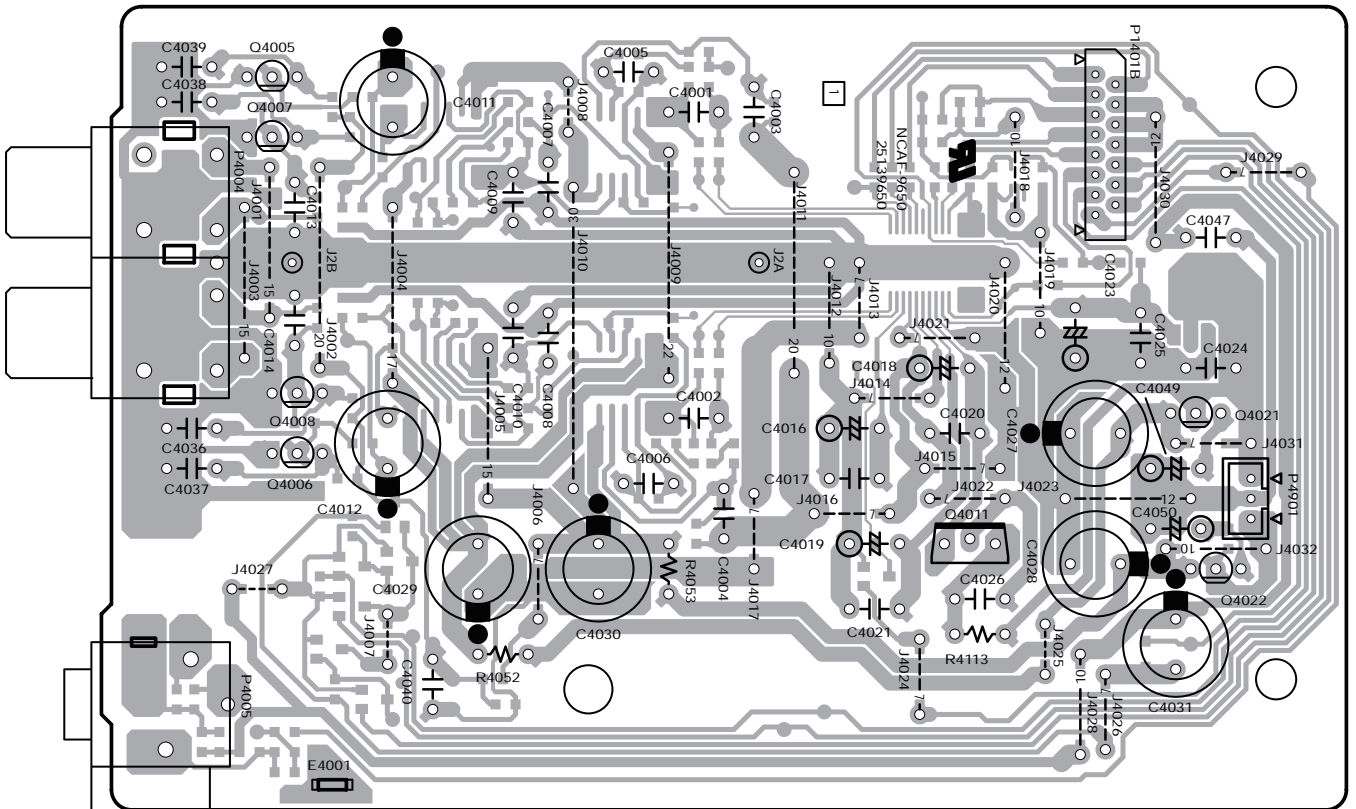
PRINTED CIRCUIT BOARD VIEW-4

U04 : AUDIO OUTPUT PC BOARD (NAAF-9650-1A/1C)

Soldering side view



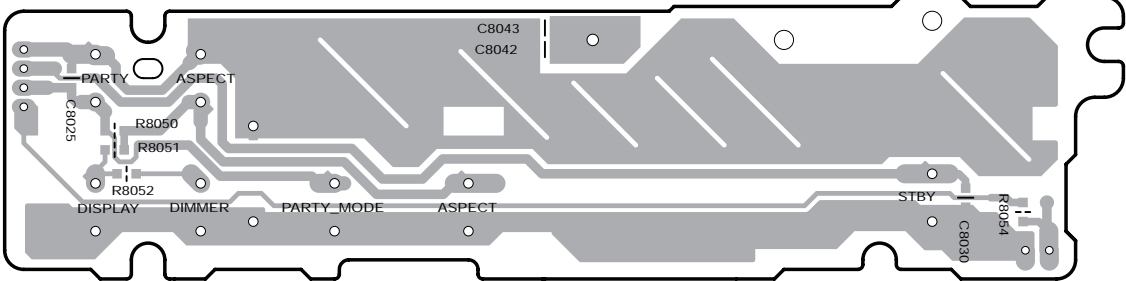
Component side view



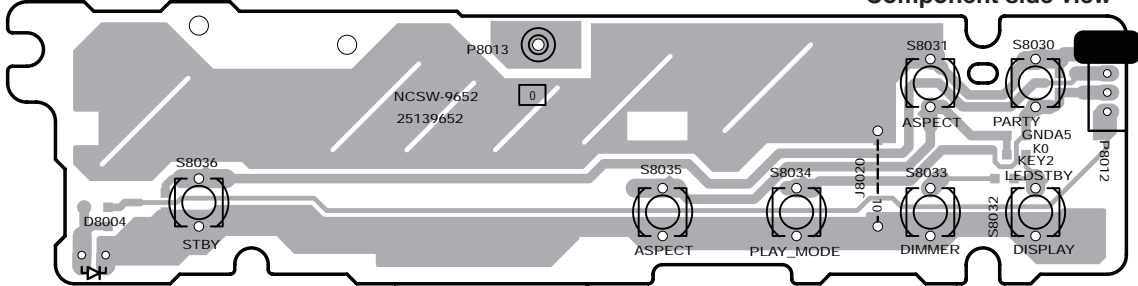
PRINTED CIRCUIT BOARD VIEW-5

U05 : STANDBY SWITCH PC BOARD (NASW-9652-1A/1C)

Soldering side view

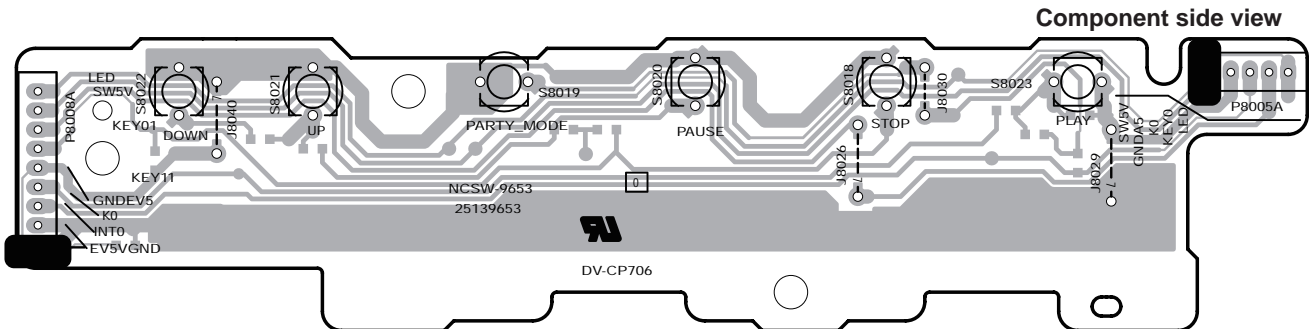
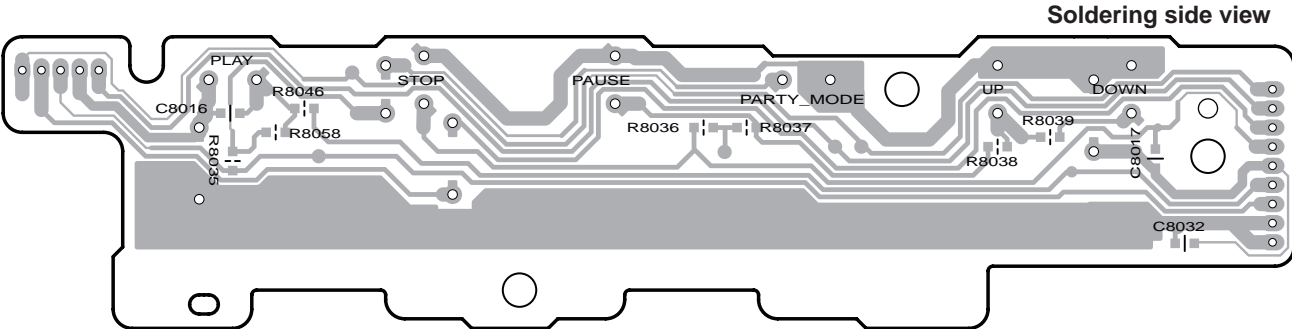


Component side view



PRINTED CIRCUIT BOARD VIEW-6

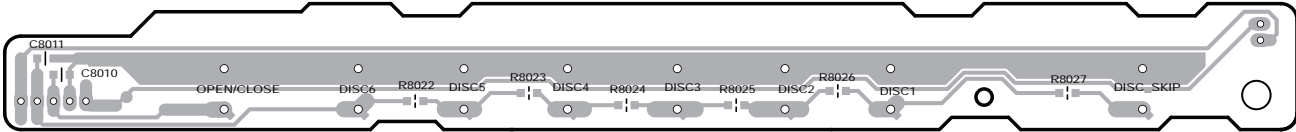
U06 : KEY OPERATION PC BOARD (NASW-9653-1A/1C)



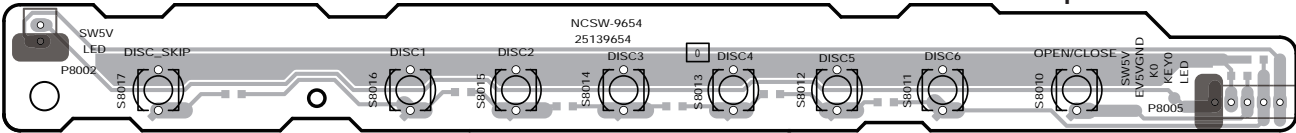
PRINTED CIRCUIT BOARD VIEW-7

U07 : DISC OPERATION PC BOARD (NASW-9654-1A/-1C)

Soldering side view

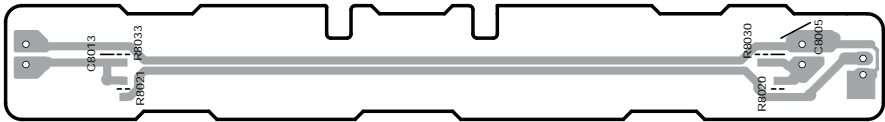


Component side view

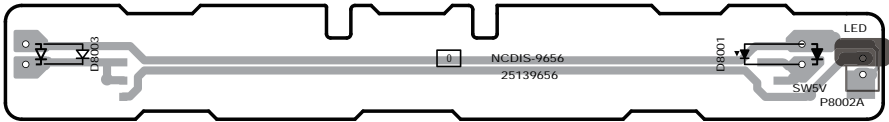


PRINTED CIRCUIT BOARD VIEW-8

U08 : ILLUMINATION PC BOARD (NADIS-9656-1A/1C)



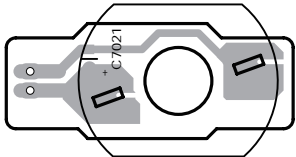
Soldering side view



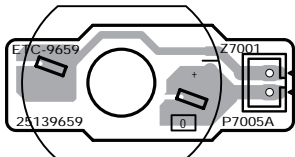
Component side view

PRINTED CIRCUIT BOARD VIEW-9

U10 : ROULETTE MOTOR PC BOARD (NAETC-9659-1A/1C)

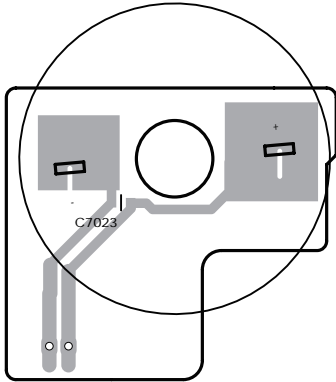


Soldering side view

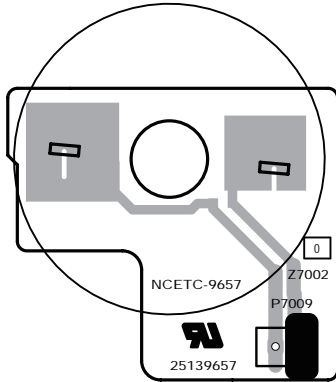


Component side view

U09 : LOADING MOTOR PC BOARD (NAETC-9657-1A/1C)

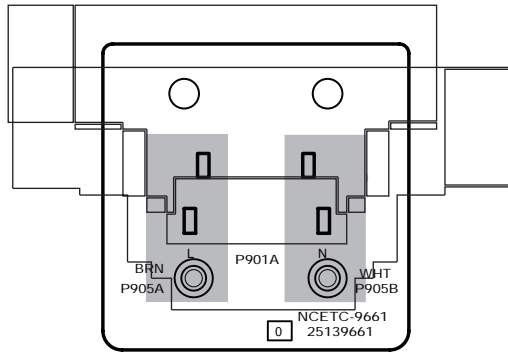


Soldering side view



Component side view

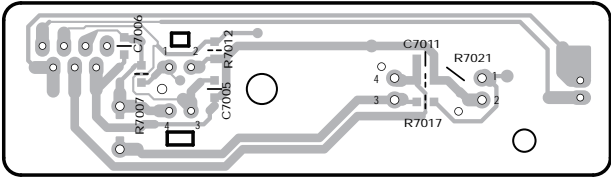
PRINTED CIRCUIT BOARD VIEW-11
U11 : AC INLET PC BOARD (NAETC-9661-1A/1C)



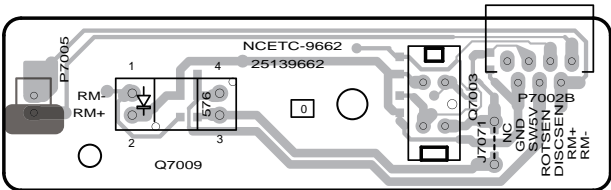
Soldering side view

PRINTED CIRCUIT BOARD VIEW-12

U12 : DISC SENSOR PC BOARD NAETC-9662-1A/1C



Soldering side view



Component side view

SERVICE PROCEDURES-1

PROTECTION OF EYES FROM LASER BEAM DURING SERVICING

This set employs a laser. Therefore, be sure to follow carefully the instructions below when servicing.

WARNING!!

SERVICE WARNING : DO NOT APPROACH THE LASER EXIT WITH THE EYE TOO CLOSELY. IN CASE IT IS NECESSARY TO CONFIRM LASER BEAM EMISSION, BE SURE TO OBSERVE FROM A DISTANCE OF MORE THAN 30cm FROM THE SURFACE OF THE OBJECTIVE LENS ON THE OPTICAL PICKUP BLOCK.

Laser Diode Properties

Wavelength: 650/780nm (DVD/CD)

WARNING

WARNING:

TO REDUCE THE RISK OF FIRE OR ELECTRIC SHOCK, DO NOT EXPOSE THIS APPLIANCE TO RAIN OR MOISTURE.

CAUTION:

TO REDUCE THE RISK OF ELECTRIC SHOCK, DO NOT REMOVE COVER (OR BACK). NO USER-SERVICEABLE PARTS INSIDE. REFER SERVICING TO QUALIFIED SERVICE PERSONNEL.



WARNING
RISK OF ELECTRIC SHOCK
DO NOT OPEN

AVIS
RISQUE DE CHOC ELECTRIQUE
NE PAS OUVRIR



The lightning flash with arrowhead symbol, within an equilateral triangle, is intended to alert the user to the presence of uninsulated "dangerous voltage" within the product's enclosure that may be of sufficient magnitude to constitute a risk of electric shock to persons.



The exclamation point within an equilateral triangle is intended to alert the user to the presence of important operating and maintenance (servicing) instructions in the literature accompanying the appliance.

LASER WARNING

This unit contains a semiconductor laser system and is classified as a "CLASS 1 LASER PRODUCT". So, to use this model properly, read this Instruction Manual carefully. In case of any trouble, please contact the store where you purchased the unit. To prevent being exposed to the laser beam, do not try to open the enclosure.

CAUTION:

VISIBLE LASER RADIATION WHEN OPEN AND INTERLOCK FAILED OR DEFEATED. DO NOT STARE INTO BEAM.

CAUTION:

THIS PRODUCT UTILIZES A LASER. USE OF CONTROLS OR ADJUSTMENTS OR PERFORMANCE OF PROCEDURES OTHER THAN THOSE SPECIFIED HEREIN MAY RESULT IN HAZARDOUS RADIATION EXPOSURE.

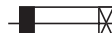
The label on the right is applied on the rear panel except for USA and Canadian models.

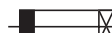




- 1.This unit is a CLASS 1 LASER PRODUCT and employs a laser inside the cabinet.
- 2.To prevent the laser from being exposed, do not remove the cover. Refer servicing to qualified personnel.

SERVICE PROCEDURE

1. Replacing the fuses

 This symbol located near the fuse indicates that the fuse used is show operating type, For continued protection against fire hazard, replace with same type fuse , For fuse rating, refer to the marking adjust to the symbol.

 Ce symbole indique que le fusible utilise est e lent. Pour une protection permanente, n'utiliser que des fusibles de meme type. Ce dernier est indique la qu le present symbol est apposse.

REF. NO.	PART NO.		DESCRIPTION
F101	252320GR		2A-UL/T-233 <MDD1N>
	252074GR		2A-SE-EAK <MUA4P>
			<MDD1N>: North American area
			<MUA4P>: Australian area

LASER BEAM CAUTION LABEL

SERVICE PROCEDURES-2

2. Safety-check out

(Only U.S.A. model)

After correcting the original service problem perform the following safety check before releasing the set to the customer

Connect the insulating-resistance tester between the plug of power supply cord and terminal GND on the back panel.

Specifications: More than 10M ohm at 500V

INITIALIZING

Factory-shipped condition

Press the [STOP] and [STANDBY] same time with NO DISC condition.

Display "CLEAR" on the FL tube.

After "CLEAR" is displayed on the FL tube, display "INITIALIZE COMPLETE" .

After it is confirmed to become to STANDBY.

Turn off the power.

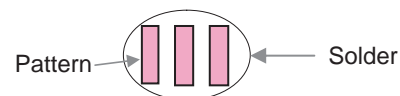
REMOVE THE SOLDER OF LASER DIODE SHORT

When replace the mechanism or DVD main PC board.

Shotting the solder of Shot-circuit land. (2 positions)

Connect the FFC to PWB(NCDG-8875:P1002) and Pickup.

Remove the solder of short-circuit land(1 points) for the laser diode destruction prevention with the soldering iron.



TEST MODE

1. Tray lock mode

Press "PLAY" key is 3-time and "OPEN/CLOSE" key is 10 seconds.

2. Select NTSC or PAL system

Press "UP" key and "POWER" key.

UPGRADE FW

(1) Prepare a FW disc

The files necessary for DV-CP706 are as follows.

changer08_o.ver
obsidian.f16

Store these 2 and also about 70MB of files (total, WAVE, MP3 etc.) in a CD-R in "Disc-at-once" mode.

(2) Check Version in advance

Hold down [Display] and then press [Stop] to display Version of System Microprocessor.

Press [Display] twice and see the version shown on OSD.

Make sure that the existing version is shown in "Release Version" column at the top of the list.

Sample: "OE-080711A(H--1-----)"

"H" confirms a HDCP key has been loaded.

The 4th digit from the left "1" shows Region.

In case of "-----" or "H-9-----", the unit needs board replacement.

(3) Write the FW

1. Load the FW disc in Tray 1 to read it.

On the OSD, the following messages are shown.

Farm Upgrade
Erase and program

Start [Cancel]

"Cancel" is highlighted as cursor position.

On the front display, "VERUP NO" is shown.

2. Change from "Cancel" to "Start" with Left/Right cursor on Remote Controller or [Left]/[Right] key on the unit.

See "VERUP YES" is shown on the front display.

Press [Enter] on Remote Controller or [Play] on the body to start FW writing.

Firmware Upgrade
Programming, please wait...
Do not switch the player off!

On the front display, "DISC READ" is shown.

After reading is finished,

"FLASHWRITE" is shown on the front display and then Tray is opened.

Take the FW disc out.

3. The message has gone from the front display and Tray is closed.

This is the end of FW writing.

If the display does not change for 5 minutes, try FW writing (3) again after turning off and on.

4. Confirm Version after FW writing

Power off and on.

Hold down [Display] and then press [Stop] to show Version of System Microprocessor.

Press [Display] twice and see the version shown on the OSD.

Make sure that the correct version is shown in "Release Version" column at the top of the list.

Sample: "OE-080711A(H--1-----)"

"H" confirms a HDCP key has been loaded.

The 4th digit from the left "1" shows Region.

In case of "-----" or "H-9-----", the unit needs board replacement.

OPERATION GUIDE

★ Initialization

1. Press the "STOP" & "STANDBY" at the same with NO DISC condition.
2. Will display "COMPLETE" on FL tube after initializing for setting & mechanism.

The unit will be going to "STANDBY" after display "COMPLETE".

*All of the setting(VIDEO, AUDIO & etc.) will be initialized.

Please refer the "Default Setting" for each destination.

★ Region cord check

1. Press "STOP" button while press and holding "DISPLAY" button at NO DISC condition.
2. Press "DISPLAY" button twice. Displayed current version number of B/E micon on the FL tube.

Release Version : OE :***** (HPR2-----) FE Version : 10.26 BE Version : 1508530000	Please check this code. H : Writing of HDCP key. P : Writing of CPPM key. (Other model only) R : Writing CPRM key. (Other model only) 2 : Region number. EX) MDD1N = 1, MPP2P = 2, MUA4P = 4, MJJ2N = 2, MUT3P = 3, MUF3P = 3
--	---

★ Test mode

1. Press the "STOP" & "DISPLAY" at the same with NO DISC condition.
Current version number of sub-micon is displayed on the FL tube.
2. Press the "DISPLAY".
Current version number of BACK END micon is displayed on the FL tube.
- 3 Press the "DISPLAY".
All segment of FL tube light up.
4. Press the "DISPLAY".
Will be displayed "DISPLAY KEY" on FL tube.
Press any keys except "STANDBY".
The function name of pressed key is display on the FL tube.
Press each key and confirm that the name of pressed key.
5. Press "STANDBY" to exit the test mode.

PARTS LIST

DV-CP706

! : Safety parts

(S) : Silver model

(B) : Black model

<MDD> : North American model

<MUA> : Australian model

NSP: Not service parts

EXPLODED VIEW PARTS LIST

	NO.	PART NAME	DESCRIPTION	PART NUMBER	REMARKS	Q'TY
EXP	A001	F PANEL	DVCP706(B)M	27213183	N (B)	1
EXP	A001	F PANEL	DVCP706(S)M	27213184	N (S)	1
EXP	A002	KNOB	(STBY)	28326059	(B)	1
EXP	A002	KNOB	(STBY)	28326345	(S)	1
EXP	A003	KNOB	(SEL)	28326061A	(B)	1
EXP	A003	KNOB	(SELL)	28326344	(S)	1
EXP	A004	KNOB	(EJ)	28326063	(B)	1
EXP	A004	KNOB	(EJ)	28326342	(S)	1
EXP	A005	KNOB	(PLAY)	28326065	(B)	1
EXP	A005	KNOB	(PLAY)	28326343	(S)	1
EXP	A006	KNOB	(DIS)	28326067	(B)	1
EXP	A006	KNOB	(DIS)	28326341	(S)	1
EXP	A008	BADGE	BADGE	28135244	(B)	1
EXP	A008	BADGE	--	28135298	(S)	1
EXP	A011	CLEAR PLT	--	28192107	(B)	1
EXP	A011	CLEAR PLT	--	28192108	(S)	1
EXP	A013	FACET	(LIGHT)	28198960		1
EXP	A014	FACET	(S)	28198959		1
EXP	A016	TAPE	TAPE(CLOTH-8U)	29110082	0.05:MT	1
EXP	A017	IB CUSHION	W15*3t TAPE	28141585	0.012:MT	1
EXP	A018	BRACKET	(F)	27130899B		1
EXP	A019	SCREW	2.6TTB+8B(3BC)	838426088GR	A018x4 PWBx8 FLx2	14
EXP	A021	ISO PLT	--	28175293-1	N	1
EXP	A022	P RIVET	P-3055B-8L	880048		2

EXP	A025	SCREW	3TTB+8B(3CM)	838130088GR	A018x2	2
EXP	A026	SCREW	3TTW+8B(3BC)	831430088GR	A001x3	3
EXP	A035	TAPE	TAPE(CLOTH-16U)	29110083	0.28:MT	1
EXP	A036	WIRE TIE	BSK-1	260208		4
EXP	A040	SCREW	3TTW+8B(3BC)	831430088GR	MECHAx8	8
EXP	A045	CUSHION	7.5x14x1.5	28141685-1	N A100x2	2
EXP	A050	DOOR	(TRAY)	28148537C	(B)	1
EXP	A050	DOOR	(TRAY)	28148610	(S)	1
EXP	A053	REAR PANEL	DV-CP706DD1N	27123955	N <MDD>	1
EXP	A053	REAR PANEL	DV-CP706UA4P	27123956	N <MUA>	1
EXP	A054	SCREW	3TTB+8B(3BC)	838430088GR	A053x15	13
EXP	A056	SCREW	3P+6FN(3BC)	82143006GR	HDMI	1
EXP	A057	LABEL	(DVD3)	29364728		1
EXP	A100	CHASSIS	--	27100478B	NSP	1
EXP	A101	HOLDER	KGLS-10RT	27190428A		3
EXP	A102	HOLDER	KGLS-12RT	27190266		2
EXP	A110	SCREW	3P+6FN(3BC)	82143006GR	PWBx2	2
EXP	A120	BOTTOM LEG	.DV-SP504	27175433		2
EXP	A121	CUSHION	--	28141664	LEGx2	2
EXP	A122	SCREW	3TTB+8B(3CM)	838130088GR	LEGx2	2
EXP	A214	COVER	DV-CP706(B)	28184966-1AZ	N (B) Not bent	1
EXP	A214	COVER	DV-CP706(B)	28184966-1A	N (B) Bent	1
EXP	A214	COVER	DV-CP706(S)	28184967-1AZ	N (S) Not bent	1
EXP	A214	COVER	DV-CP706(S)	28184967-1A	N (S) Bent	1
EXP	A215	SCREW	3TTB+8B(3BC)	838430088GR	(B) A214x8	8
EXP	A215	SCREW	3TTB+8B(3CM)	838130088GR	(S) A214x8	8
EXP	A216	SHEET	(S)	29095942-1	N	1
EXP	F101	FUSE	2A-UL/T-233	252320GR	! <MDD>	1
EXP	F101	FUSE	2A-SE-EAK FUSE	252074GR	! <MUA>	1
EXP	P1002	FFC	NCFCC-242012	204C242012		1
EXP	P1401	FFC	NCFC5-151512	2045151512		1
EXP	P1703	FFC	NCFC5-312022	2045312022		1
EXP	P1901B	SOCKET AS	NSAS-30P1748	2009991123UL	N	1

EXP	P7002	FFC	NCFC3-07037	204307037	N	1
EXP	U01	DVD Main circuit PC board assy	NADG-9634-1A	1H554534-1A	N <MDD>	1
EXP	U01	DVD Main circuit PC board assy	NADG-9634-1B	1H554534-1B	N <MUA>	1
EXP	U02	Display circuit PC board assy	NADIS-9648-1A	1H554548-1A	N <MDD>	1
EXP	U02	Display circuit PC board assy	NADIS-9648-1C	1H554548-1C	N <MUA>	1
EXP	U03	Mecha. Control PC board assy	NADG-9649-1A	1H554549-1A	N <MDD>	1
EXP	U03	Mecha. Control PC board assy	NADG-9649-1C	1H554549-1C	N <MUA>	1
EXP	U04	Audio output terminal PC board assy	NAAF-9650-1A	1H554550-1A	N <MDD>	1
EXP	U04	Audio output terminal PC board assy	NAAF-9650-1C	1H554550-1C	N <MUA>	1
EXP	U05	Standby switch PC board assy	NASW-9652-1A	1H554552-1A	N <MDD>	1
EXP	U05	Standby switch PC board assy	NASW-9652-1C	1H554552-1C	N <MUA>	1
EXP	U06	Key operation PC board assy	NASW-9653-1A	1H554553-1A	N <MDD>	1
EXP	U06	Key operation PC board assy	NASW-9653-1C	1H554553-1C	N <MUA>	1
EXP	U07	DISC Operation PC board assy	NASW-9654-1A	1H554554-1A	N <MDD>	1
EXP	U07	DISC Operation PC board assy	NASW-9654-1C	1H554554-1C	N <MUA>	1
EXP	U08	Illumination PC board assy	NADIS-9656-1A	1H554556-1A	N <MDD>	1
EXP	U08	Illumination PC board assy	NADIS-9656-1C	1H554556-1C	N <MUA>	1
EXP	U09	Loading motor PC board assy	NAETC-9657-1A	1H554557-1A	N <MDD>	1
EXP	U09	Loading motor PC board assy	NAETC-9657-1C	1H554557-1C	N <MUA>	1
EXP	U10	Roulette motor PC board assy	NAETC-9659-1A	1H554559-1A	N <MDD>	1
EXP	U10	Roulette motor PC board assy	NAETC-9659-1C	1H554559-1C	N <MUA>	1
EXP	U11	AC Inlet terminal PC board	NAETC-9661-1A	1H554561-1A	N <MDD>	1
EXP	U11	AC Inlet terminal PC board	NAETC-9661-1C	1H554561-1C	N <MUA>	1
EXP	U12	DISC Sensor PC board assy	NAETC-9662-1A	1H554562-1A	N <MDD>	1
EXP	U12	DISC Sensor PC board assy	NAETC-9662-1C	1H554562-1C	N <MUA>	1
EXP	U20	Power supply unit	NGPS-0075-100-240V	24150075A	! <MDD>	1
EXP	U20	Power supply unit	NGPS-0074-100-120V	24150074B	! <MUA>	1
EXP	F102	Quick action micro fuse	MQ2A/125V	OP66	!	1
EXP	F105	Quick action micro fuse	MQ3A/125V	OP67	!	1

PACKING VIEW PARTS LIST

DV-CP706

NO.	PART NAME	DESCRIPTION	PART NUMBER	REMARKS	Q'TY
-----	-----------	-------------	-------------	---------	------

PKG	A603	PAD	AS	29092189-1		1
PKG	A604	SHEET	(DR)	29095795		1
PKG	A605	SHEET	--	29095847		1
PKG	A606	POLY BAG	(W600xD700)	29100252		1
PKG	A608	TAPE	(SEROHAN)NITTO NO.29	29110149	0.3:MT	1
PKG	A610	PP TAPE	W50 SBT-70	29110200	:1.5:MT	1
PKG	A611	SHEET	(PAD)	29096050-1	N	1
PKG	A651	UPC LABEL	DV-CP706(B)	29390563	N <B MDD>	{ 1 }
PKG	A651	UPC LABEL	DV-CP706(S)	29390564	N <S MDD>	{ 1 }
PKG	A651	EAN LABEL	DV-CP706(B)MUA	29390579	N <B MUA>	{ 1 }
PKG	A651	EAN LABEL	DV-CP706(S)MUA	29390580	N <S MUA>	{ 1 }
PKG	A652	WRNTY CARD	(ONKYO)	29365102A	<MDD> only	1
PKG	A655	CARTON	DV-CP706M	29054959	N	1
PKG	A701	POLY BAG	w250xd350	29100250A		1
PKG	E801	PIN CORD AS	RCA3P(YWR)	2010379		1
PKG	E801 or	PIN CORD AS	RCA-3P(YWR)	2010359TAIDA		(1)
PKG	E802	BATTERY	R6/AA(UM-3)	3010194		2
PKG	E802 or	BATTERY	R6/AA(UM-3)	3010054		(2)
PKG	E803	PLUG CORD	3.5-MINI PLUG (RI)	2010200		1
PKG	E804	CORD AS	RCA-1P(O)	2010424		1
PKG	E805	REMO CON	RC-655DV	24140655		1
PKG	E812	INS MANUAL	En(DVCP706)	29344788	N until #3800 (ERRATA)	1
PKG	E812	INS MANUAL	En(DVCP706)	29344788A	N After #3801	1
PKG	E814	INS MANUAL	En(DVCP706)HDMI	29344790	N	1
PKG	E816	INST SHEET		29355731	until #3800 (ERRATA)	
PKG	P901	AC CORD	AS-UC-2	253296AVOL	N ! <MDD>	1
PKG	P901	AC CORD	AS-SAA	253389VOL	! <MUA>	1
PKG	P901 or	AC CORD	AS-SAA	253389LTK	! <MUA>	(1)

MECHANISM PARTS LIST

DV-CP706

NO.	PART NAME	DESCRIPTION	PART NUMBER	REMARKS	Q'TY
-----	-----------	-------------	-------------	---------	------

MECHA	M001	RAIL	--	24840172B		1
MECHA	M002	Loading motor assy	M002+M003	1H498602A		1
	M002	MOTOR	CCM07B-045R1-1A	24804046A		1
	M003	PULLEY	--	24810084-1		1
	M003 or	PULLEY	--	24810084		(1)
MECHA	M004	SCREW	2.6P+4FN	82112604	MP003:M001*2	2
MECHA	M005	RBR BELT	DVCP701	24816039		1
MECHA	M006	GEAR	(PULLEY)	24810085		1
MECHA	M007	GEAR	(A)	24810086		1
MECHA	M008	GEAR	(MAIN)	24810087B		1
MECHA	M009	GEAR	(CAM)	24810088		1
MECHA	M010	SCREW	3*8*w11	801633	M006*1,M008*1,M009*1	3
MECHA	M011	HOLDER	KGLS-8RT	27190503A		3
MECHA	M012	DVD Mechanism assy	TDT-2100SF-O2	24801035	N	1
	M012a	DAMPER-IDLE	C2G083	--	NSP	{ 4}
	M012b	SCW-DAMPER-CR3	C1H012	--	NSP	{ 4}
	M012c	CLAMPER-H	A7G202	--	NSP	{ 1}
	M012d	CLUMPER-L	A7G203	--	NSP	{ 1}
	M012e	CLAMP-T-M12H	A7P085	--	NSP	{ 1}
MECHA	M013	CHASSIS	(SUB)	24802059	Change	1
MECHA	M014	SCREW	3TTB+8B(3CM)	838130088GR	PCB*4	4
MECHA	M015	CLIP	CS-1U	27255004-1		1
MECHA	M015 or	CLIP	CS-1U	27255004		(1)
MECHA	M016	SCREW	3TTB+8B(3CM)	838130088GR	M015*1	1
MECHA	M018	CUSHION	--	28141708-1	N M001*2	2
MECHA	M018 or	CUSHION	--	28141708	M001*2	(2)
MECHA	M030	ARM	--	24814027A		1
MECHA	M031	CUSHION	--	28141561-1	N M030*1	2
MECHA	M031 or	CUSHION	--	28141561	M030*1	(2)
MECHA	M032	SCREW	3TTB+8B(3CM)	838130088GR	M030*1	1
MECHA	M050	TRAY	--	24840158I		1
MECHA	M052	BRACKET AS	(M)	24840160B		1

	M052a	BRACKET	(M)	--	NSP	{ 1 }
	M052b	SHAFT	(M)	--	NSP	{ 1 }
MECHA	M053	Roulette motor assy	M053+M054+M055	1H498603		1
	M053	MOTOR	PWN10EA02D	--	NSP	1
	M054	WASHER	0.5t*2.1*6	--	N NSP	2
	M054 or	WASHER	0.5t*2.1*6	--	NSP	(2)
	M055	GEAR	(WORM)	--	NSP	1
MECHA	M056	SCREW	2P+3FN(3CM)	82112003GR	M052*2	2
MECHA	M057	GEAR	(WHEEL)	24810089		1
MECHA	M058	WASHER	(B)	24834040	M057*1	1
MECHA	M059	SCREW	3TTB+8B(3CM)	838130088GR	M052*2,PCB*1	3
MECHA	M060	ROLLER	DVCP701	24840162	M050*4	4
MECHA	M061	ROULETTE	--	24840173		1
MECHA	M062	SCREW	3*8*w11	801633	M061*1	1

PRINTED CIRCUIT BOARD PARTS LIST

DV-CP706

U01	DVD Main circuit PC board assy	NADG-9634-1A/-1B	1H554534-1A/-1B
-----	--------------------------------	------------------	-----------------

	NO.	PART NAME	DESCRIPTION	PART NUMBER	REMARKS	Q'TY
DG9634-1	C1001	CHIP ELECT C	CEWX4V-220M	3981G2217R2		1
DG9634-1	C1002	CHIP ELECT C	CEWX4V-47M	3981G4707R2		1
DG9634-1	C1003	CHIP ELECT C	CEWX4V-47M	3981G4707R2		1
DG9634-1	C1004	C-CERA C	CK725F1A-105Z1	332181050R1		1
DG9634-1	C1005	C-CERA C	CK725F1A-105Z1	332181050R1		1
DG9634-1	C1006	C-CERA C	CK725F1A-105Z1	332181050R1		1
DG9634-1	C1007	C-CERA C	CK725F1A-105Z1	332181050R1		1
DG9634-1	C1008	C-CERA C	CC725CH1H-102J1	342101024R1		1
DG9634-1	C1009	C-CERA C	CC725CH1H-330J1	342103304R1		1
DG9634-1	C1010	C-CERA C	CC725CH1H-330J1	342103304R1		1
DG9634-1	C1011	C-CERA C	CC725CH1H-330J1	342103304R1		1
DG9634-1	C1012	C-CERA C	CC725CH1H-330J1	342103304R1		1

DG9634-1	C1013	C-CERA C	CC725CH1H-102J1	342101024R1	1
DG9634-1	C1014	C-CERA C	CC725CH1H-102J1	342101024R1	1
DG9634-1	C1015	C-CERA C	CC725CH1H-330J1	342103304R1	1
DG9634-1	C1016	C-CERA C	CC725CH1H-330J1	342103304R1	1
DG9634-1	C1017	C-CERA C	CK725B1C-104K1	332121045R1	1
DG9634-1	C1018	C-CERA C	CC725CH1H-330J1	342103304R1	1
DG9634-1	C1019	C-CERA C	CC725CH1H-330J1	342103304R1	1
DG9634-1	C1020	C-CERA C	CK725F1A-105Z1	332181050R1	1
DG9634-1	C1021	CHIP ELECT C	CEWX16V-100M	398141017R2	1
DG9634-1	C1022	C-CERA C	CK725F1A-105Z1	332181050R1	1
DG9634-1	C1023	C-CERA C	CK725F1A-105Z1	332181050R1	1
DG9634-1	C1024	CHIP ELECT C	CEWX50V-1M	398180107R2	1
DG9634-1	C1025	CHIP ELECT C	CEWX16V-100M	398141017R2	1
DG9634-1	C1026	C-CERA C	CK725F1A-105Z1	332181050R1	1
DG9634-1	C1027	CHIP ELECT C	CEWX6.3V-330M	398123317R2	1
DG9634-1	C1028	C-CERA C	CK725F1A-105Z1	332181050R1	1
DG9634-1	C1029	CHIP ELECT C	CEWX4V-220M	3981G2217R2	1
DG9634-1	C1030	C-CERA C	CK725F1A-105Z1	332181050R1	1
DG9634-1	C1031	C-CERA C	CC725CH1H-102J1	342101024R1	1
DG9634-1	C1032	C-CERA C	CK725B1C-104K1	332121045R1	1
DG9634-1	C1033	C-CERA C	CK725B1C-104K1	332121045R1	1
DG9634-1	C1101	C-CERA C	CK725F1A-105Z1	332181050R1	1
DG9634-1	C1102	C-CERA C	CK725F1A-105Z1	332181050R1	1
DG9634-1	C1103	C-CERA C	CK725F1A-105Z1	332181050R1	1
DG9634-1	C1104	C-CERA C	CK725F1A-105Z1	332181050R1	1
DG9634-1	C1105	C-CERA C	CK725F1A-105Z1	332181050R1	1
DG9634-1	C1106	C-CERA C	CK725F1A-105Z1	332181050R1	1
DG9634-1	C1108	C-CERA C	CC725CH1H-330J1	342103304R1	1
DG9634-1	C1109	C-CERA C	CK725F1A-105Z1	332181050R1	1
DG9634-1	C1110	C-CERA C	CK725F1A-105Z1	332181050R1	1
DG9634-1	C1111	C-CERA C	CK725F1A-105Z1	332181050R1	1
DG9634-1	C1112	C-CERA C	CK725F1A-105Z1	332181050R1	1
DG9634-1	C1113	C-CERA C	CK725F1A-105Z1	332181050R1	1

DG9634-1	C1115	C-CERA C	CK725F1A-105Z1	332181050R1	1
DG9634-1	C1116	C-CERA C	CK725F1A-105Z1	332181050R1	1
DG9634-1	C1117	C-CERA C	CK725F1A-105Z1	332181050R1	1
DG9634-1	C1118	C-CERA C	CK725F1A-105Z1	332181050R1	1
DG9634-1	C1119	C-CERA C	CK725F1A-105Z1	332181050R1	1
DG9634-1	C1120	C-CERA C	CK725F1A-105Z1	332181050R1	1
DG9634-1	C1121	C-CERA C	CK725F1A-105Z1	332181050R1	1
DG9634-1	C1122	C-CERA C	CK725F1A-105Z1	332181050R1	1
DG9634-1	C1123	C-CERA C	CK725F1A-105Z1	332181050R1	1
DG9634-1	C1124	C-CERA C	CK725F1A-105Z1	332181050R1	1
DG9634-1	C1125	C-CERA C	CC725CH1H-102J1	342101024R1	1
DG9634-1	C1126	C-CERA C	CK725F1A-105Z1	332181050R1	1
DG9634-1	C1128	C-CERA C	CK725F1A-105Z1	332181050R1	1
DG9634-1	C1129	C-CERA C	CC725CH1H-101J1	342101014R1	1
DG9634-1	C1136	C-CERA C	CK725F1A-105Z1	332181050R1	1
DG9634-1	C1137	C-CERA C	CK725F1A-105Z1	332181050R1	1
DG9634-1	C1138	C-CERA C	CK725F1A-105Z1	332181050R1	1
DG9634-1	C1139	C-CERA C	CK725F1A-105Z1	332181050R1	1
DG9634-1	C1140	C-CERA C	CK725F1A-105Z1	332181050R1	1
DG9634-1	C1141	C-CERA C	CK725F1A-105Z1	332181050R1	1
DG9634-1	C1142	C-CERA C	CK725F1A-105Z1	332181050R1	1
DG9634-1	C1143	C-CERA C	CK725F1A-105Z1	332181050R1	1
DG9634-1	C1144	C-CERA C	CK725F1A-105Z1	332181050R1	1
DG9634-1	C1145	C-CERA C	CK725F1A-105Z1	332181050R1	1
DG9634-1	C1146	C-CERA C	CK725F1A-105Z1	332181050R1	1
DG9634-1	C1147	C-CERA C	CK725F1A-105Z1	332181050R1	1
DG9634-1	C1148	CHIP ELECT C	CEWX4V-220M	3981G2217R2	1
DG9634-1	C1149	C-CERA C	CK725F1A-105Z1	332181050R1	1
DG9634-1	C1150	CHIP ELECT C	CEWX4V-220M	3981G2217R2	1
DG9634-1	C1151	C-CERA C	CK725F1A-105Z1	332181050R1	1
DG9634-1	C1152	CHIP ELECT C	CEWX4V-220M	3981G2217R2	1
DG9634-1	C1153	C-CERA C	CK725F1A-105Z1	332181050R1	1
DG9634-1	C1154	CHIP ELECT C	CEWX4V-220M	3981G2217R2	1

DG9634-1	C1155	C-CERA C	CK725F1A-105Z1	332181050R1		1
DG9634-1	C1156	CHIP ELECT C	CEWX4V-220M	3981G2217R2		1
DG9634-1	C1161	C-CERA C	CK725F1A-105Z1	332181050R1		1
DG9634-1	C1162	CHIP ELECT C	CEWX6.3V-330M	398123317R2		1
DG9634-1	C1165	C-CERA C	CK725F1A-105Z1	332181050R1		1
DG9634-1	C1201	C-CERA C	CK725F1E-104Z1	332161040R1		1
DG9634-1	C1202	C-CERA C	CC725CH1H-101J1	342101014R1		1
DG9634-1	C1203	C-CERA C	CK725B1H-103K1	332101035R1		1
DG9634-1	C1204	C-CERA C	CK725B1H-103K1	332101035R1		1
DG9634-1	C1205	C-CERA C	CK725B1H-103K1	332101035R1		1
DG9634-1	C1206	C-CERA C	CC725CH1H-102J1	342101024R1		1
DG9634-1	C1207	C-CERA C	CK725F1E-104Z1	332161040R1		1
DG9634-1	C1208	CHIP ELECT C	CEWX16V-100M	398141017R2		1
DG9634-1	C1210	CHIP ELECT C	CEWX16V-100M	398141017R2		1
DG9634-1	C1211	C-CERA C	CK725F1A-105Z1	332181050R1		1
DG9634-1	C1212	C-CERA C	CK725F1A-105Z1	332181050R1		1
DG9634-1	C1213	C-CERA C	CK725F1A-105Z1	332181050R1		1
DG9634-1	C1214	C-CERA C	CK725B1C-104K1	332121045R1		1
DG9634-1	C1215	C-CERA C	CC725CH1H-101J1	342101014R1		1
DG9634-1	C1219	CHIP ELECT C	CEWX4V-220M	3981G2217R2		1
DG9634-1	C1220	CHIP ELECT C	CEWX4V-47M	3981G4707R2		1
DG9634-1	C1221	CHIP ELECT C	CEWX4V-47M	3981G4707R2		1
DG9634-1	C1222	C-CERA C	CK725F1A-105Z1	332181050R1		1
DG9634-1	C1223	C-CERA C	CK725F1A-105Z1	332181050R1		1
DG9634-1	C1224	C-CERA C	CK725B1H-103K1	332101035R1		1
DG9634-1	C1225	C-CERA C	CC725CH1H-102J1	342101024R1		1
DG9634-1	C1227	C-CERA C	CK725B1H-223K1	332102235R1		1
DG9634-1	C1228	C-CERA C	CK725B1H-223K1	332102235R1		1
DG9634-1	C1229	C-CERA C	CC725CH1H-102J1	342101024R1		1
DG9634-1	C1230	C-CERA C	CK725F1E-104Z1	332161040R1		1
DG9634-1	C1231	C-CERA C	CK725B1C-104K1	332121045R1	SPINDLE DETECT	1
DG9634-1	C1232	CHIP ELECT C	CEWX10V-220M	398132217R2	SPINDLE DETECT	1
DG9634-1	C1233	C-CERA C	CK725F1A-105Z1	332181050R1	SPINDLE DETECT	1

DG9634-1	C1401	CHIP ELECT C	CEWX10V-220M	398132217R2	1
DG9634-1	C1402	C-CERA C	CK725F1E-104Z1	332161040R1	1
DG9634-1	C1405	C-CERA C	CK725F1E-104Z1	332161040R1	1
DG9634-1	C1406	CHIP ELECT C	CEWX16V-22M	398142207R2	1
DG9634-1	C1407	C-CERA C	CC725CH1H-220J1	342102204R1	1
DG9634-1	C1408	C-CERA C	CK725F1E-104Z1	332161040R1	1
DG9634-1	C1410	C-CERA C	CK725F1E-104Z1	332161040R1	1
DG9634-1	C1411	CHIP ELECT C	CEWX16V-22M	398142207R2	1
DG9634-1	C1412	CHIP ELECT C	CEWX10V-220M	398132217R2	1
DG9634-1	C1501	CHIP ELECT C	CEWX16V-100M	398141017R2	1
DG9634-1	C1502	C-CERA C	CK725F1A-105Z1	332181050R1	1
DG9634-1	C1503	CHIP ELECT C	CEWX16V-22M	398142207R2	1
DG9634-1	C1504	C-CERA C	CK725F1A-105Z1	332181050R1	1
DG9634-1	C1505	CHIP ELECT C	CEWX16V-100M	398141017R2	1
DG9634-1	C1506	C-CERA C	CK725F1A-105Z1	332181050R1	1
DG9634-1	C1507	CHIP ELECT C	CEWX16V-100M	398141017R2	1
DG9634-1	C1508	C-CERA C	CK725F1A-105Z1	332181050R1	1
DG9634-1	C1509	CHIP ELECT C	CEWX16V-100M	398141017R2	1
DG9634-1	C1510	C-CERA C	CK725F1A-105Z1	332181050R1	1
DG9634-1	C1511	CHIP ELECT C	CEWX16V-100M	398141017R2	1
DG9634-1	C1512	C-CERA C	CK725F1A-105Z1	332181050R1	1
DG9634-1	C1513	C-CERA C	CK725F1A-105Z1	332181050R1	1
DG9634-1	C1514	C-CERA C	CK725F1A-105Z1	332181050R1	1
DG9634-1	C1516	C-CERA C	CK725F1A-105Z1	332181050R1	1
DG9634-1	C1517	C-CERA C	CK725F1A-105Z1	332181050R1	1
DG9634-1	C1518	C-CERA C	CK725F1A-105Z1	332181050R1	1
DG9634-1	C1519	C-CERA C	CK725F1A-105Z1	332181050R1	1
DG9634-1	C1520	C-CERA C	CK725F1A-105Z1	332181050R1	1
DG9634-1	C1521	C-CERA C	CK725F1A-105Z1	332181050R1	1
DG9634-1	C1522	C-CERA C	CK725F1A-105Z1	332181050R1	1
DG9634-1	C1523	C-CERA C	CK725F1A-105Z1	332181050R1	1
DG9634-1	C1524	C-CERA C	CK725F1A-105Z1	332181050R1	1
DG9634-1	C1525	CHIP ELECT C	CEWX16V-100M	398141017R2	1

DG9634-1	C1559	C-CERA C	CK725F1A-105Z1	332181050R1	1
DG9634-1	C1560	C-CERA C	CK725F1A-105Z1	332181050R1	1
DG9634-1	C1561	C-CERA C	CK725F1A-105Z1	332181050R1	1
DG9634-1	C1563	CHIP ELECT C	CEWX6.3V-22M	398122207R2	1
DG9634-1	C1564	C-CERA C	CK725F1A-105Z1	332181050R1	1
DG9634-1	C1565	CHIP ELECT C	CEWX4V-100M	3981G1017R2	1
DG9634-1	C1566	C-CERA C	CK725F1A-105Z1	332181050R1	1
DG9634-1	C1581	C-CERA C	CK725F1A-105Z1	332181050R1	1
DG9634-1	C1582	CHIP ELECT C	CEWX4V-220M	3981G2217R2	1
DG9634-1	C1583	C-CERA C	CK725F1A-105Z1	332181050R1	1
DG9634-1	C1587	C-CERA C	CC725CH1H-100D1	342101002R1	1
DG9634-1	C1589	C-CERA C	CC725CH1H-120J1	342101204R1	1
DG9634-1	C1701	C-CERA C	CK725F1E-104Z1	332161040R1	1
DG9634-1	C1702	C-CERA C	CK725F1E-104Z1	332161040R1	1
DG9634-1	C1703	C-CERA C	CK725F1E-104Z1	332161040R1	1
DG9634-1	C1704	C-CERA C	CK725F1E-104Z1	332161040R1	1
DG9634-1	C1705	C-CERA C	CC725CH1H-102J1	342101024R1	1
DG9634-1	C1706	C-CERA C	CC725CH1H-102J1	342101024R1	1
DG9634-1	C1707	C-CERA C	CK725F1E-104Z1	332161040R1	1
DG9634-1	C1712	CHIP ELECT C	CEWX16V-22M	398142207R2	1
DG9634-1	C1713	CHIP ELECT C	CEWX16V-22M	398142207R2	1
DG9634-1	C1714	C-CERA C	CK725F1E-104Z1	332161040R1	1
DG9634-1	C1715	C-CERA C	CK725F1E-104Z1	332161040R1	1
DG9634-1	C1716	CHIP ELECT C	CEWX4V-100M	3981G1017R2	1
DG9634-1	C1717	C-CERA C	CK725F1A-105Z1	332181050R1	1
DG9634-1	C1718	C-CERA C	CK725F1E-104Z1	332161040R1	1
DG9634-1	C1719	C-CERA C	CC725CH1H-101J1	342101014R1	1
DG9634-1	C1720	C-CERA C	CC725CH1H-101J1	342101014R1	1
DG9634-1	C1722	CHIP ELECT C	CEWX16V-22M	398142207R2	1
DG9634-1	C1723	C-CERA C	CC725CH1H-102J1	342101024R1	1
DG9634-1	C1724	C-CERA C	CC725CH1H-102J1	342101024R1	1
DG9634-1	C1725	C-CERA C	CC725CH1H-102J1	342101024R1	1
DG9634-1	C1781	C-CERA C	CK725F1A-105Z1	332181050R1	1

DG9634-1	C1851	C-CERA C	CK725F1A-105Z1	332181050R1		1
DG9634-1	C1852	CHIP ELECT C	CEWX4V-220M	3981G2217R2		1
DG9634-1	C1853	C-CERA C	CK725F1A-105Z1	332181050R1		1
DG9634-1	C1854	C-CERA C	CK725F1A-105Z1	332181050R1		1
DG9634-1	C1855	CHIP ELECT C	CEWX4V-220M	3981G2217R2		1
DG9634-1	C1856	C-CERA C	CK725F1A-105Z1	332181050R1		1
DG9634-1	C1857	C-CERA C	CK725F1A-105Z1	332181050R1		1
DG9634-1	C1858	C-CERA C	CK725F1A-105Z1	332181050R1		1
DG9634-1	C1859	C-CERA C	CK725F1A-105Z1	332181050R1		1
DG9634-1	C1860	C-CERA C	CK725F1A-105Z1	332181050R1		1
DG9634-1	C1861	C-CERA C	CK725F1A-105Z1	332181050R1		1
DG9634-1	C1862	C-CERA C	CK725F1A-105Z1	332181050R1		1
DG9634-1	C1863	C-CERA C	CC725CH1H-102J1	342101024R1		1
DG9634-1	C1901	CHIP ELECT C	CEWX16V-100M	398141017R2		1
DG9634-1	C1902	PW C	CE04W6.3V-470M(PW)	393724717		1
DG9634-1	C1903	CD C	UCD1A471MNL1GS	396634717R2		1
DG9634-1	C1904	C-CERA C	CK725F1A-105Z1	332181050R1		1
DG9634-1	C1905	C-CERA C	CK725F1A-105Z1	332181050R1		1
DG9634-1	C1907	CHIP ELECT C	CEWX4V-220M	3981G2217R2		1
DG9634-1	C1910	C-CERA C	CK725F1A-105Z1	332181050R1		1
DG9634-1	C1911	CHIP ELECT C	CEWX16V-100M	398141017R2		1
DG9634-1	C1912	C-CERA C	CK725F1A-105Z1	332181050R1	For Changer	1
DG9634-1	C1913	CHIP ELECT C	CEWX10V-220M	398132217R2		1
DG9634-1	C1914	PW C	CE04W6.3V-470M(PW)	393724717		1
DG9634-1	C1915	C-CERA C	CK725F1A-105Z1	332181050R1		1
DG9634-1	C1916	CHIP ELECT C	CEWX4V-100M	3981G1017R2		1
DG9634-1	C1918	C-CERA C	CK725F1A-105Z1	332181050R1	For Changer	1
DG9634-1	C1919	CHIP ELECT C	CEWX16V-100M	398141017R2		1
DG9634-1	C2001	C-CERA C	CK725B1H-103K1	332101035R1		1
DG9634-1	C2002	CHIP ELECT C	CEWX50V-1M	398180107R2		1
DG9634-1	C2003	CHIP ELECT C	CEWX50V-1M	398180107R2		1
DG9634-1	C2004	CHIP ELECT C	CEWX50V-1M	398180107R2		1
DG9634-1	C2005	CHIP ELECT C	CEWX50V-1M	398180107R2		1

DG9634-1	C2006	CHIP ELECT C	CEWX50V-1M	398180107R2		1
DG9634-1	C2007	C-CERA C	CK725F1A-105Z1	332181050R1		1
DG9634-1	C2008	CHIP ELECT C	CEWX6.3V-22M	398122207R2		1
DG9634-1	C2009	C-CERA C	CK725F1A-105Z1	332181050R1		1
DG9634-1	C2010	CHIP ELECT C	CEWX16V-100M	398141017R2		1
DG9634-1	C2011	CHIP ELECT C	CEWX6.3V-22M	398122207R2		1
DG9634-1	C2012	CHIP ELECT C	CEWX16V-100M	398141017R2		1
DG9634-1	C2013	CHIP ELECT C	CEWX6.3V-22M	398122207R2		1
DG9634-1	C2014	CHIP ELECT C	CEWX16V-100M	398141017R2		1
DG9634-1	C2015	CHIP ELECT C	CEWX6.3V-22M	398122207R2		1
DG9634-1	C2016	CHIP ELECT C	CEWX16V-100M	398141017R2		1
DG9634-1	C2017	CHIP ELECT C	CEWX6.3V-22M	398122207R2		1
DG9634-1	C2018	CHIP ELECT C	CEWX16V-100M	398141017R2		1
DG9634-1	C2019	CHIP ELECT C	CEWX6.3V-22M	398122207R2		1
DG9634-1	C2020	C-CERA C	CK725B1H-103K1	332101035R1		1
DG9634-1	C2021	C-CERA C	CK725B1H-103K1	332101035R1		1
DG9634-1	C2022	C-CERA C	CK725F1A-105Z1	332181050R1		1
DG9634-1	C2023	CHIP ELECT C	CEWX10V-220M	398132217R2		1
DG9634-1	C2028	C-CERA C	CK725F1A-105Z1	332181050R1		1
DG9634-1	D1551	C-DIODE	1SS226(TE85L_F)	223266R2		1
DG9634-1	D1701	C-DIODE	1SS352	223234R2		1
DG9634-1	D1701 or	C-DIODE	1SS355	223269R2		(1)
DG9634-1	D1701 or	C-DIODE	MA2J1110GL	223302R2		(1)
DG9634-1	D1703	C-DIODE	1SS352	223234R2		1
DG9634-1	D1703 or	C-DIODE	1SS355	223269R2		(1)
DG9634-1	D1703 or	C-DIODE	MA2J1110GL	223302R2		(1)
DG9634-1	D1905	LED	SEC1401C	225383R2	Confirm SW P supply	1
DG9634-1	D1906	C-DIODE	1SS352	223234R2		1
DG9634-1	D1906 or	C-DIODE	1SS355	223269R2		(1)
DG9634-1	D1906 or	C-DIODE	MA2J1110GL	223302R2		(1)
DG9634-1	D1907	DIODE	RB070M-30	22380361R2		1
DG9634-1	D1908	C-DIODE	1SS352	223234R2		1
DG9634-1	D1908 or	C-DIODE	1SS355	223269R2		(1)

DG9634-1	D1908 or	C-DIODE	MA2J1110GL	223302R2		(1)
DG9634-1	D1909	C-DIODE	1SS352	223234R2		
DG9634-1	D1909	C-DIODE	1SS355	223269R2		
DG9634-1	F1501	RESISTOR	nanoSMDC016F	4000239R2		1
DG9634-1	L1001	CHOKE COIL	LBC2518T220M	231364M220R2		1
DG9634-1	L1002	CHOKE COIL	LBC2518T220M	231364M220R2		1
DG9634-1	L1003	CHOKE COIL	LBC2518T220M	231364M220R2		1
DG9634-1	L1004	CHOKE COIL	LBC2518T220M	231364M220R2		1
DG9634-1	L1005	CHOKE COIL	BLM21PG221SN1	230949R2		1
DG9634-1	L1006	CHOKE COIL	BLM21PG221SN1	230949R2		1
DG9634-1	L1101	CHOKE COIL	BLM21PG221SN1	230949R2		1
DG9634-1	L1102	CHOKE COIL	BLM21PG221SN1	230949R2		1
DG9634-1	L1103	CHOKE COIL	BLM21PG221SN1	230949R2		1
DG9634-1	L1104	CHOKE COIL	BLM21PG221SN1	230949R2		1
DG9634-1	L1105	CHOKE COIL	BLM21PG221SN1	230949R2		1
DG9634-1	L1108	CHOKE COIL	BLM21PG221SN1	230949R2		1
DG9634-1	L1109	EMIFIL	BK1608LL241-T	230959R1		1
DG9634-1	L1110	EMIFIL	BK1608LL241-T	230959R1		1
DG9634-1	L1111	EMIFIL	BK1608LL680-T	2350013R1	N	1
DG9634-1	L1112	C-CARBON R	RN72K1J-000JE	435030004R1		1
DG9634-1	L1113	CHOKE COIL	BLM21PG221SN1	230949R2		1
DG9634-1	L1201	CHOKE COIL	LBC2518T2R2M	231364M022R2		1
DG9634-1	L1401	CHOKE COIL	LBC2518T2R2M	231364M022R2		1
DG9634-1	L1402	CHOKE COIL	LBC2518T2R2M	231364M022R2		1
DG9634-1	L1403	CHOKE COIL	BLM21B222SPT	230921R2		1
DG9634-1	L1501	CHOKE COIL	BLM21PG221SN1	230949R2		1
DG9634-1	L1502	CHOKE COIL	BLM21PG221SN1	230949R2		1
DG9634-1	L1503	CHOKE COIL	BLM21PG221SN1	230949R2		1
DG9634-1	L1504	CHOKE COIL	BLM21PG221SN1	230949R2		1
DG9634-1	L1505	CHOKE COIL	BLM21PG221SN1	230949R2		1
DG9634-1	L1506	CHOKE COIL	BLM21PG221SN1	230949R2		1
DG9634-1	L1507	CHOKE COIL	BLM21PG221SN1	230949R2		1
DG9634-1	L1551	CHOKE COIL	BLM21PG221SN1	230949R2		1

DG9634-1	L1581	CHOKE COIL	BLM21PG221SN1	230949R2		1
DG9634-1	L1582	EMIFIL	BK1608LL241-T	230959R1		1
DG9634-1	L1583	EMIFIL	BK1608LL241-T	230959R1		1
DG9634-1	L1851	CHOKE COIL	BLM21PG221SN1	230949R2		1
DG9634-1	L1852	CHOKE COIL	BLM21PG221SN1	230949R2		1
DG9634-1	L1903	CHOKE COIL	NCH-2541	231363K470		1
DG9634-1	L1904	CHOKE COIL	BLM21PG221SN1	230949R2		1
DG9634-1	L2001	CHOKE COIL	BLM21PG221SN1	230949R2		1
DG9634-1	P001	PWB	NCDG-9634	25139634B	N	1
DG9634-1	P1002	FFC SOCKET	FH12-24S-0.5SH(55)	25053125R2		1
DG9634-1	P1203	SOCKET	NSCT-15P2478	25052581R2		1
DG9634-1	P1401C	SOCKET	15FMN-SMT-A-TF	25052832R2	To Audio 706	1
DG9634-1	P1411	PIN JACK	NPJ-1PDOR369	25045548	COAX/ Silver	1
DG9634-1	P1551	SOCKET	YKF45-7037V	25053253R3		1
DG9634-1	P1703C	SOCKET	31FMN-SMT-A-TF	25052848R2	N To Display Changer	1
DG9634-1	P1781	SOCKET	09FMN-SMT-A-TF	25052826R2		1
DG9634-1	P1782	SOCKET	NSCT-9P2472	25052575R2		1
DG9634-1	P1855	FFC SOCKET	FH12-24S-0.5SH(55)	25053125R2		1
DG9634-1	P1856	FFC SOCKET	FH12-24S-0.5SH(55)	25053125R2		1
DG9634-1	P1901C	PLUG	NPLG-13P938	25055985R2	power I/F Changer	1
DG9634-1	P2001	PIN JACK	NPJ-5PDBY456	25045656	5P/Silver	1
DG9634-1	P2002	PIN JACK	NPJ-3PDGLR454	25045654	Component/Silver	1
DG9634-1	Q1001	TR	HN1A01F-GR	2215915R2		1
DG9634-1	Q1002	TR	HN1A01F-GR	2215915R2		1
DG9634-1	Q1003	TR	2SC2712-GR	2213145R2		1
DG9634-1	Q1004	TR	2SC2712-GR	2213145R2		1
DG9634-1	Q1007	TR	2SC2712-GR	2213145R2		1
DG9634-1	Q1101 or	IC	ZR36886HLCG	22242536R3	N CANNOT SACD	1
DG9634-1	Q1101	IC	ZR36886HLCG-A	22242536AR3		1
DG9634-1	Q1103	IC	S-80127CNMC-JKM-T2	22241642R2		1
DG9634-1	Q1104	IC	TC74VHC157FT	22274157ER2TO	DSD SW	1
DG9634-1	Q1201	IC	BD7967EFS	22242328R2		1
DG9634-1	Q1202	IC	NJM3404V	22241677R2		1

DG9634-1	Q1205	IC	BA4510FV	22241907R2		1
DG9634-1	Q1206	IC	TC74AC00FT	22242244R2	SPINDLE DETECT	1
DG9634-1	Q1401	IC	TC74VHCU04FT	22274004HR2TO		1
DG9634-1	Q1501	IC	ZR36722PQCG	22242538R3	N	1
DG9634-1	Q1502	IC	SN74CB3Q3305PWR	22242258R2		1
DG9634-1	Q1503	IC	TC7SZ125FU(TE85L_F)	22241895R2		1
DG9634-1	Q1504	IC	XC6213B332MR	22242277R2		1
DG9634-1	Q1505	TR ARRAY	UM6K1N	226066R2		1
DG9634-1	Q1581	IC	TC7WZU04FU(TE12L_F)	22242078R2TO		1
DG9634-1	Q1582	IC	TC7SHU04FU	22241638R2		1
DG9634-1	Q1701	IC	M3062LFGPPF U5	222W0048R302781	2008/07/17 Flash	1
DG9634-1	Q1702	TR	RN1402	2214470R2		1
DG9634-1	Q1702 or	TR	KRC102S	2216190R2		(1)
DG9634-1	Q1703	TR	DTC114EKA	2216250R2		1
DG9634-1	Q1704	TR	DTA114YKA	2216480R2		1
DG9634-1	Q1705	TR	DTA114YKA	2216480R2		1
DG9634-1	Q1706	TR	DTC114EKA	2216250R2		1
DG9634-1	Q1708	IC	S-24CS16A0I-J8V1G	22242326R2		1
DG9634-1	Q1710	IC	XC6213B332MR	22242277R2		1
DG9634-1	Q1711	TR	RN1402	2214470R2		1
DG9634-1	Q1711 or	TR	KRC102S	2216190R2		(1)
DG9634-1	Q1781	IC	TC7MBL3245SFT	22242539R2TO	N	1
DG9634-1	Q1782	TR	2SK3019	2216520R2		1
DG9634-1	Q1783	TR	2SK3019	2216520R2		1
DG9634-1A	Q1851	IC	M29W160ET-70N6E	222W0049R302790	FOR CHANGER+single	1
DG9634-1	Q1852	IC	K4S281632K-UC60	22242489R3		1
DG9634-1	Q1853	TR	2SK3019	2216520R2		1
DG9634-1	Q1901	IC	TA48018AF(TE16L_NQ)	22278018DR2TO		1
DG9634-1	Q1903	IC	XC6202P502FR	22242331R2		1
DG9634-1	Q1904	IC	SI8008TM	22242323R2		1
DG9634-1	Q1905	IC	TA48018AF(TE16L_NQ)	22278018DR2TO		1
DG9634-1	Q1906	IC	XC6202P502FR	22242331R2		1
DG9634-1	Q2001	IC	BH7868FS	22242329R2		1

DG9634-1	R1001	C-CARBON R	RN72K1J-047JE	435030474R1	1
DG9634-1	R1003	C-CARBON R	RN72K1J-047JE	435030474R1	1
DG9634-1	R1005	C-CARBON R	RN72K1J-221JE	435032214R1	1
DG9634-1	R1006	C-CARBON R	RN72K1J-332JE	435033324R1	1
DG9634-1	R1007	C-CARBON R	RN72K1J-047JE	435030474R1	1
DG9634-1	R1009	C-CARBON R	RN72K1J-047JE	435030474R1	1
DG9634-1	R1011	C-CARBON R	RN72K1J-221JE	435032214R1	1
DG9634-1	R1012	C-CARBON R	RN72K1J-332JE	435033324R1	1
DG9634-1	R1013	C-CARBON R	RN72K1J-000JE	435030004R1	1
DG9634-1	R1014	C-CARBON R	RN72K1J-000JE	435030004R1	1
DG9634-1	R1015	C-CARBON R	RN72K1J-471JE	435034714R1	1
DG9634-1	R1016	C-CARBON R	RN72K1J-000JE	435030004R1	1
DG9634-1	R1017	C-CARBON R	RN72K1J-000JE	435030004R1	1
DG9634-1	R1018	C-CARBON R	RN72K1J-000JE	435030004R1	1
DG9634-1	R1019	C-CARBON R	RN72K1J-000JE	435030004R1	1
DG9634-1	R1020	C-CARBON R	RN72K1J-000JE	435030004R1	1
DG9634-1	R1021	C-CARBON R	RN72K1J-000JE	435030004R1	1
DG9634-1	R1022	C-CARBON R	RN72K1J-104FE	435031042R1	1
DG9634-1	R1023	C-CARBON R	RN72K1J-103FE	435031032R1	1
DG9634-1	R1024	C-CARBON R	RN72K1J-000JE	435030004R1	1
DG9634-1	R1025	C-CARBON R	RN72K1J-470JE	435034704R1	1
DG9634-1	R1026	C-CARBON R	RN72K1J-332JE	435033324R1	1
DG9634-1	R1027	C-CARBON R	RN72K1J-000JE	435030004R1	1
DG9634-1	R1028	C-CARBON R	RN72K1J-000JE	435030004R1	1
DG9634-1	R1029	C-CARBON R	RN72K1J-000JE	435030004R1	1
DG9634-1	R1030	C-CARBON R	RN72K1J-470JE	435034704R1	1
DG9634-1	R1031	C-CARBON R	RN72K1J-000JE	435030004R1	1
DG9634-1	R1032	C-CARBON R	RN72K1J-000JE	435030004R1	1
DG9634-1	R1033	C-CARBON R	RN72K1J-103FE	435031032R1	1
DG9634-1	R1101	C-CARBON R	RN72K1J-470JE	435034704R1	1
DG9634-1	R1102	C-CARBON R	RN72K1J-472JE	435034724R1	1
DG9634-1	R1103	C-CARBON R	RN72K1J-000JE	435030004R1	1
DG9634-1	R1104	C-CARBON R	RN72K1J-000JE	435030004R1	1

DG9634-1	R1105	C-CARBON R	RN72K1J-470JE	435034704R1	1
DG9634-1	R1107	C-CARBON R	RN72K1J-470JE	435034704R1	1
DG9634-1	R1108	C-CARBON R	RN72K1J-470JE	435034704R1	1
DG9634-1	R1109	C-CARBON R	RN72K1J-472JE	435034724R1	1
DG9634-1	R1110	C-CARBON R	RN72K1J-470JE	435034704R1	1
DG9634-1	R1111	C-CARBON R	RN72K1J-470JE	435034704R1	1
DG9634-1	R1112	C-CARBON R	RN72K1J-470JE	435034704R1	1
DG9634-1	R1113	C-CARBON R	RN72K1J-470JE	435034704R1	1
DG9634-1	R1114	C-CARBON R	RN72K1J-470JE	435034704R1	1
DG9634-1	R1115	C-CARBON R	RN72K1J-470JE	435034704R1	1
DG9634-1	R1116	C-CARBON R	RN72K1J-470JE	435034704R1	1
DG9634-1	R1117	C-CARBON R	RN72K1J-470JE	435034704R1	1
DG9634-1	R1118	C-CARBON R	RN72K1J-470JE	435034704R1	1
DG9634-1	R1119	C-CARBON R	RN72K1J-470JE	435034704R1	1
DG9634-1	R1122	C-CARBON R	RN72K1J-221JE	435032214R1	1
DG9634-1	R1127	C-CARBON R	RN72K1J-101JE	435031014R1	1
DG9634-1	R1131	C-CARBON R	RN72K1J-470JE	435034704R1	1
DG9634-1	R1132	C-CARBON R	RN72K1J-101JE	435031014R1	1
DG9634-1	R1133	C-CARBON R	RN72K1J-101JE	435031014R1	1
DG9634-1	R1137	C-CARBON R	RN72K1J-563JE	435035634R1	1
DG9634-1	R1138	C-CARBON R	RN72K1J-101JE	435031014R1	1
DG9634-1	R1140	C-CARBON R	RN72K1J-470JE	435034704R1	1
DG9634-1	R1141	C-CARBON R	RN72K1J-101JE	435031014R1	1
DG9634-1	R1142	C-CARBON R	RN72K1J-470JE	435034704R1	1
DG9634-1	R1143	C-CARBON R	RN72K1J-470JE	435034704R1	1
DG9634-1	R1144	C-CARBON R	RN72K1J-101JE	435031014R1	1
DG9634-1	R1145	C-CARBON R	RN72K1J-101JE	435031014R1	1
DG9634-1	R1146	C-CARBON R	RN72K1J-470JE	435034704R1	1
DG9634-1	R1147	C-CARBON R	RN72K1J-470JE	435034704R1	1
DG9634-1	R1153	C-CARBON R	RN72K1J-221JE	435032214R1	1
DG9634-1	R1154	C-CARBON R	RN72K1J-101JE	435031014R1	1
DG9634-1	R1155	C-CARBON R	RN72K1J-101JE	435031014R1	1
DG9634-1	R1156	C-CARBON R	RN72K1J-101JE	435031014R1	1

DG9634-1	R1159	C-CARBON R	RN72K1J-102JE	435031024R1		1
DG9634-1	R1161	C-CARBON R	RN72K1J-220JE	435032204R1		1
DG9634-1	R1165	C-CARBON R	RN72K1J-101JE	435031014R1	DAC CONTOROL DATA	1
DG9634-1	R1166	C-CARBON R	RN72K1J-101JE	435031014R1	DAC CONTOROL CLK	1
DG9634-1	R1168	C-CARBON R	RN72K1J-221FE	435032212R1		1
DG9634-1	R1169	C-CARBON R	RN72K1J-151FE	435031512R1		1
DG9634-1	R1170	C-CARBON R	RN72K1J-220FE	435032202R1		1
DG9634-1	R1171	C-CARBON R	RN72K1J-750FE	435037502R1		1
DG9634-1	R1172	C-CARBON R	RN72K1J-750FE	435037502R1		1
DG9634-1	R1173	C-CARBON R	RN72K1J-750FE	435037502R1		1
DG9634-1	R1174	C-CARBON R	RN72K1J-750FE	435037502R1		1
DG9634-1	R1175	C-CARBON R	RN72K1J-750FE	435037502R1		1
DG9634-1	R1176	C-CARBON R	RN72K1J-750FE	435037502R1		1
DG9634-1	R1177	C-CARBON R	RN72K1J-750FE	435037502R1		1
DG9634-1	R1178	C-CARBON R	RN72K1J-750FE	435037502R1		1
DG9634-1	R1179	C-CARBON R	RN72K1J-750FE	435037502R1		1
DG9634-1	R1180	C-CARBON R	RN72K1J-750FE	435037502R1		1
DG9634-1	R1181	C-CARBON R	RN72K1J-750FE	435037502R1		1
DG9634-1	R1182	C-CARBON R	RN72K1J-750FE	435037502R1		1
DG9634-1	R1183	C-CARBON R	RN72K1J-470JE	435034704R1		1
DG9634-1	R1184	C-CARBON R	RN72K1J-470JE	435034704R1		1
DG9634-1	R1185	C-CARBON R	RN72K1J-470JE	435034704R1		1
DG9634-1	R1186	C-CARBON R	RN72K1J-470JE	435034704R1		1
DG9634-1	R1187	C-CARBON R	RN72K1J-470JE	435034704R1		1
DG9634-1	R1188	C-CARBON R	RN72K1J-470JE	435034704R1		1
DG9634-1	R1189	C-CARBON R	RN72K1J-470JE	435034704R1		1
DG9634-1	R1190	C-CARBON R	RN72K1J-470JE	435034704R1		1
DG9634-1	R1191	C-CARBON R	RN72K1J-473JE	435034734R1		1
DG9634-1	R1192	C-CARBON R	RN72K1J-473JE	435034734R1		1
DG9634-1	R1193	C-CARBON R	RN72K1J-470JE	435034704R1		1
DG9634-1	R1194	C-CARBON R	RN72K1J-470JE	435034704R1		1
DG9634-1	R1195	C-CARBON R	RN72K1J-103JE	435031034R1		1
DG9634-1	R1197	C-CARBON R	RN72K1J-000JE	435030004R1		1

DG9634-1	R1198	C-R NET	RM7LJ470X04	43484747004R2	1
DG9634-1	R1199	C-R NET	RM7LJ470X04	43484747004R2	1
DG9634-1	R1201	C-CARBON R	RN72K1J-102JE	435031024R1	1
DG9634-1	R1202	C-CARBON R	RN72K1J-473JE	435034734R1	1
DG9634-1	R1203	C-CARBON R	RN72K1J-473JE	435034734R1	1
DG9634-1	R1204	C-CARBON R	RN72K1J-047JE	435030474R1	1
DG9634-1	R1205	C-CARBON R	RN72K1J-047JE	435030474R1	1
DG9634-1	R1206	C-CARBON R	RN72K1J-103JE	435031034R1	1
DG9634-1	R1207	C-CARBON R	RN72K1J-473JE	435034734R1	1
DG9634-1	R1208	C-CARBON R	RN72K1J-010JE	435030104R1	1
DG9634-1	R1209	C-CARBON R	RN72K1J-010JE	435030104R1	1
DG9634-1	R1210	C-CARBON R	RN72K1J-010JE	435030104R1	1
DG9634-1	R1211	C-CARBON R	RN72K1J-010JE	435030104R1	1
DG9634-1	R1212	C-CARBON R	RN72K1J-472JE	435034724R1	1
DG9634-1	R1213	C-CARBON R	RN72K1J-000JE	435030004R1	1
DG9634-1	R1214	C-CARBON R	RN72K1J-000JE	435030004R1	1
DG9634-1	R1215	C-CARBON R	RN72K1J-018JE	435030184R1	1
DG9634-1	R1216	C-CARBON R	RN72K1J-018JE	435030184R1	1
DG9634-1	R1217	C-CARBON R	RN72K1J-018JE	435030184R1	1
DG9634-1	R1218	C-CARBON R	RN72K1J-018JE	435030184R1	1
DG9634-1	R1219	C-CARBON R	RN72K1J-018JE	435030184R1	1
DG9634-1	R1220	C-CARBON R	RN72K1J-018JE	435030184R1	1
DG9634-1	R1221	C-CARBON R	RN72K1J-018JE	435030184R1	1
DG9634-1	R1224	C-CARBON R	RN72K1J-273JE	435032734R1	1
DG9634-1	R1226	C-CARBON R	RN72K1J-273JE	435032734R1	1
DG9634-1	R1227	C-CARBON R	RN72K1J-154JE	435031544R1	1
DG9634-1	R1228	C-CARBON R	RN72K1J-223JE	435032234R1	1
DG9634-1	R1237	C-CARBON R	RN72K1J-103FE	435031032R1	1
DG9634-1	R1238	C-CARBON R	RN72K1J-103FE	435031032R1	1
DG9634-1	R1240	C-CARBON R	RN72K1J-100JE	435031004R1	1
DG9634-1	R1241	C-CARBON R	RN72K1J-000JE	435030004R1	1
DG9634-1	R1242	C-CARBON R	RN72K1J-103JE	435031034R1	1
DG9634-1	R1245	C-CARBON R	RN72K1J-273JE	435032734R1	1

DG9634-1	R1246	C-CARBON R	RN72K1J-103JE	435031034R1		1
DG9634-1	R1247	C-CARBON R	RN72K1J-153JE	435031534R1		1
DG9634-1	R1248	C-CARBON R	RN72K1J-183JE	435031834R1		1
DG9634-1	R1249	C-CARBON R	RN72K1J-273JE	435032734R1		1
DG9634-1	R1250	C-CARBON R	RN72K1J-101JE	435031014R1		1
DG9634-1	R1251	C-CARBON R	RN72K1J-101JE	435031014R1		1
DG9634-1	R1252	C-CARBON R	RN72K1J-101JE	435031014R1		1
DG9634-1	R1253	C-CARBON R	RN72K1J-101JE	435031014R1		1
DG9634-1	R1254	C-CARBON R	RN72K1J-101JE	435031014R1		1
DG9634-1	R1255	C-CARBON R	RN72K1J-101JE	435031014R1		1
DG9634-1	R1256	C-CARBON R	RN72K1J-101JE	435031014R1		1
DG9634-1	R1257	C-CARBON R	RN72K1J-101JE	435031014R1		1
DG9634-1	R1258	C-CARBON R	RN72K1J-330JE	435033304R1		1
DG9634-1	R1270	C-R NET	RM7LJ470X04	43484747004R2		1
DG9634-1	R1271	C-CARBON R	RN72K1J-470JE	435034704R1		1
DG9634-1	R1272	C-CARBON R	RN72K1J-470JE	435034704R1		1
DG9634-1	R1273	C-CARBON R	RN72K1J-220JE	435032204R1		1
DG9634-1	R1274	C-CARBON R	RN72K1J-220JE	435032204R1		1
DG9634-1	R1275	C-CARBON R	RN72K1J-220JE	435032204R1		1
DG9634-1	R1276	C-CARBON R	RN72K1J-220JE	435032204R1		1
DG9634-1	R1277	C-CARBON R	RN72K1J-220JE	435032204R1		1
DG9634-1	R1278	C-R NET	RM7LJ470X04	43484747004R2		1
DG9634-1	R1279	C-R NET	RM7LJ470X04	43484747004R2		1
DG9634-1	R1280	C-R NET	RM7LJ470X04	43484747004R2		1
DG9634-1	R1281	C-R NET	RM7LJ470X04	43484747004R2		1
DG9634-1	R1282	C-CARBON R	RN72K1J-473JE	435034734R1	SPINDLE DETECT	1
DG9634-1	R1283	C-CARBON R	RN72K1J-222JE	435032224R1	SPINDLE DETECT	1
DG9634-1	R1290	C-CARBON R	RN72K1J-000JE	435030004R1	Chip jumper	1
DG9634-1	R1291	C-CARBON R	RN72K1J-000JE	435030004R1	Chip jumper	1
DG9634-1	R1292	C-CARBON R	RN72K1J-000JE	435030004R1	DVD RESET	1
DG9634-1	R1401	C-CARBON R	RN72K1J-101JE	435031014R1		1
DG9634-1	R1403	C-CARBON R	RN72K1J-474JE	435034744R1		1
DG9634-1	R1405	C-CARBON R	RN72K1J-331JE	435033314R1		1

DG9634-1	R1406	C-CARBON R	RN72K1J-121JE	435031214R1	1
DG9634-1	R1407	C-CARBON R	RN72K1J-182JE	435031824R1	1
DG9634-1	R1409	C-CARBON R	RN72K1J-122JE	435031224R1	1
DG9634-1	R1410	C-CARBON R	RN72K1J-221JE	435032214R1	1
DG9634-1	R1411	C-CARBON R	RN72K1J-000JE	435030004R1	1
DG9634-1	R1501	C-R NET	RM7LJ470X04	43484747004R2	1
DG9634-1	R1502	C-R NET	RM7LJ470X04	43484747004R2	1
DG9634-1	R1503	C-CARBON R	RN72K1J-470JE	435034704R1	1
DG9634-1	R1504	C-CARBON R	RN72K1J-470JE	435034704R1	1
DG9634-1	R1505	C-CARBON R	RN72K1J-472JE	435034724R1	1
DG9634-1	R1506	C-CARBON R	RN72K1J-472JE	435034724R1	1
DG9634-1	R1507	C-CARBON R	RN72K1J-330JE	435033304R1	1
DG9634-1	R1511	C-CARBON R	RN72K1J-470JE	435034704R1	1
DG9634-1	R1512	C-CARBON R	RN72K1J-470JE	435034704R1	1
DG9634-1	R1513	C-CARBON R	RN72K1J-470JE	435034704R1	1
DG9634-1	R1514	C-CARBON R	RN72K1J-470JE	435034704R1	1
DG9634-1	R1515	C-CARBON R	RN72K1J-000JE	435030004R1	1
DG9634-1	R1516	C-CARBON R	RN72K1J-470JE	435034704R1	1
DG9634-1	R1517	C-CARBON R	RN72K1J-100JE	435031004R1	1
DG9634-1	R1518	C-CARBON R	RN72K1J-472JE	435034724R1	1
DG9634-1	R1519	C-CARBON R	RN72K1J-470JE	435034704R1	1
DG9634-1	R1520	C-CARBON R	RN72K1J-470JE	435034704R1	1
DG9634-1	R1521	C-CARBON R	RN72K1J-470JE	435034704R1	1
DG9634-1	R1522	C-CARBON R	RN72K1J-470JE	435034704R1	1
DG9634-1	R1525	C-CARBON R	RN72K1J-470JE	435034704R1	1
DG9634-1	R1527	C-CARBON R	RN72K1J-103JE	435031034R1	1
DG9634-1	R1528	C-CARBON R	RN72K1J-000JE	435030004R1	1
DG9634-1	R1529	C-CARBON R	RN72K1J-000JE	435030004R1	1
DG9634-1	R1530	C-CARBON R	RN72K1J-472JE	435034724R1	1
DG9634-1	R1531	C-CARBON R	RN72K1J-472JE	435034724R1	1
DG9634-1	R1533	C-CARBON R	RN72K1J-221JE	435032214R1	1
DG9634-1	R1534	C-CARBON R	RN72K1J-472JE	435034724R1	1
DG9634-1	R1535	C-CARBON R	RN72K1J-221JE	435032214R1	1

DG9634-1	R1536	C-CARBON R	RN72K1J-101FE	435031012R1	1
DG9634-1	R1537	C-CARBON R	RN72K1J-750JE	435037504R1	1
DG9634-1	R1538	C-CARBON R	RN72K1J-750JE	435037504R1	1
DG9634-1	R1539	C-CARBON R	RN72K1J-750JE	435037504R1	1
DG9634-1	R1540	C-CARBON R	RN72K1J-331JE	435033314R1	1
DG9634-1	R1541	C-CARBON R	RN72K1J-472JE	435034724R1	1
DG9634-1	R1542	C-CARBON R	RN72K1J-000JE	435030004R1	1
DG9634-1	R1543	C-CARBON R	RN72K1J-473JE	435034734R1	1
DG9634-1	R1546	C-CARBON R	RN72K1J-391JE	435033914R1	1
DG9634-1	R1551	C-R NET	MNR12E0APJ000	43464900002R2	1
DG9634-1	R1552	C-R NET	MNR12E0APJ000	43464900002R2	1
DG9634-1	R1553	C-R NET	MNR12E0APJ000	43464900002R2	1
DG9634-1	R1554	C-R NET	MNR12E0APJ000	43464900002R2	1
DG9634-1	R1555	C-CARBON R	RN72K1J-000JE	435030004R1	1
DG9634-1	R1557	C-CARBON R	RN72K1J-000JE	435030004R1	1
DG9634-1	R1559	C-CARBON R	RN72K1J-182JE	435031824R1	1
DG9634-1	R1560	C-CARBON R	RN72K1J-182JE	435031824R1	1
DG9634-1	R1562	C-CARBON R	RN72K1J-000JE	435030004R1	1
DG9634-1	R1564	C-CARBON R	RN72K1J-102JE	435031024R1	1
DG9634-1	R1566	C-CARBON R	RN72K1J-473JE	435034734R1	1
DG9634-1	R1568	C-CARBON R	RN72K1J-000JE	435030004R1	1
DG9634-1	R1569	C-CARBON R	RN72K1J-000JE	435030004R1	1
DG9634-1	R1581	C-CARBON R	RN72K1J-221JE	435032214R1	1
DG9634-1	R1582	C-CARBON R	RN72K1J-221JE	435032214R1	1
DG9634-1	R1585	C-CARBON R	RN72K1J-105FE	435031052R1	1
DG9634-1	R1586	C-CARBON R	RN72K1J-821FE	435038212R1	1
DG9634-1	R1587	C-CARBON R	RN72K1J-331FE	435033312R1	1
DG9634-1	R1588	C-CARBON R	RN72K1J-000JE	435030004R1	1
DG9634-1	R1589	C-CARBON R	RN72K1J-000JE	435030004R1	1
DG9634-1	R1592	C-CARBON R	RN72K1J-103JE	435031034R1	1
DG9634-1	R1701	C-CARBON R	RN72K1J-470JE	435034704R1	1
DG9634-1	R1702	C-CARBON R	RN72K1J-470JE	435034704R1	1
DG9634-1	R1703	C-CARBON R	RN72K1J-221JE	435032214R1	1

DG9634-1	R1704	C-CARBON R	RN72K1J-473JE	435034734R1		1
DG9634-1	R1705	C-CARBON R	RN72K1J-470JE	435034704R1		1
DG9634-1	R1708	C-CARBON R	RN72K1J-221JE	435032214R1		1
DG9634-1	R1709	C-CARBON R	RN72K1J-103JE	435031034R1		1
DG9634-1	R1712	C-CARBON R	RN72K1J-103JE	435031034R1		1
DG9634-1	R1713	C-CARBON R	RN72K1J-224JE	435032244R1		1
DG9634-1	R1714	C-CARBON R	RN72K1J-470JE	435034704R1		1
DG9634-1	R1717	C-CARBON R	RN72K1J-000JE	435030004R1		1
DG9634-1	R1720	C-CARBON R	RN72K1J-221JE	435032214R1		1
DG9634-1	R1721	C-CARBON R	RN72K1J-221JE	435032214R1		1
DG9634-1	R1722	C-CARBON R	RN72K1J-221JE	435032214R1		1
DG9634-1	R1723	C-CARBON R	RN72K1J-221JE	435032214R1		1
DG9634-1	R1724	C-CARBON R	RN72K1J-221JE	435032214R1		1
DG9634-1	R1725	C-CARBON R	RN72K1J-472JE	435034724R1		1
DG9634-1	R1726	C-CARBON R	RN72K1J-221JE	435032214R1		1
DG9634-1	R1727	C-CARBON R	RN72K1J-472JE	435034724R1		1
DG9634-1	R1728	C-CARBON R	RN72K1J-103JE	435031034R1		1
DG9634-1	R1729	C-CARBON R	RN72K1J-470JE	435034704R1		1
DG9634-1	R1731	C-CARBON R	RN72K1J-470JE	435034704R1		1
DG9634-1	R1732	C-CARBON R	RN72K1J-103JE	435031034R1		1
DG9634-1	R1733	C-CARBON R	RN72K1J-470JE	435034704R1		1
DG9634-1	R1734	C-CARBON R	RN72K1J-470JE	435034704R1		1
DG9634-1	R1735	C-CARBON R	RN72K1J-470JE	435034704R1		1
DG9634-1	R1736	C-CARBON R	RN72K1J-470JE	435034704R1		1
DG9634-1	R1737	C-CARBON R	RN72K1J-470JE	435034704R1		1
DG9634-1	R1739	C-CARBON R	RN72K1J-221JE	435032214R1		1
DG9634-1	R1740	C-CARBON R	RN72K1J-103JE	435031034R1		1
DG9634-1	R1741	C-CARBON R	RN72K1J-221JE	435032214R1		1
DG9634-1	R1742	C-CARBON R	RN72K1J-103JE	435031034R1		1
DG9634-1	R1743	C-CARBON R	RN72K1J-221JE	435032214R1		1
DG9634-1	R1744	C-CARBON R	RN72K1J-221JE	435032214R1		1
DG9634-1	R1745	C-CARBON R	RN72K1J-103JE	435031034R1		1
DG9634-1	R1746	C-CARBON R	RN72K1J-000JE	435030004R1	~LD_CURRENT	1

DG9634-1	R1748	C-CARBON R	RN72K1J-000JE	435030004R1	POS_SENS	1
DG9634-1	R1750	C-CARBON R	RN72K1J-000JE	435030004R1	DISC_SENS	1
DG9634-1	R1752	C-CARBON R	RN72K1J-470JE	435034704R1		1
DG9634-1	R1753	C-CARBON R	RN72K1J-221JE	435032214R1		1
DG9634-1	R1755	C-CARBON R	RN72K1J-470JE	435034704R1		1
DG9634-1	R1756	C-CARBON R	RN72K1J-470JE	435034704R1		1
DG9634-1	R1757	C-CARBON R	RN72K1J-221JE	435032214R1		1
DG9634-1	R1758	C-CARBON R	RN72K1J-221JE	435032214R1		1
DG9634-1	R1759	C-CARBON R	RN72K1J-221JE	435032214R1		1
DG9634-1	R1760	C-CARBON R	RN72K1J-221JE	435032214R1		1
DG9634-1	R1761	C-CARBON R	RN72K1J-221JE	435032214R1		1
DG9634-1	R1762	C-CARBON R	RN72K1J-221JE	435032214R1		1
DG9634-1	R1763	C-CARBON R	RN72K1J-221JE	435032214R1		1
DG9634-1	R1764	C-CARBON R	RN72K1J-221JE	435032214R1		1
DG9634-1	R1766	C-CARBON R	RN72K1J-470JE	435034704R1		1
DG9634-1	R1768	C-CARBON R	RN72K1J-221JE	435032214R1		1
DG9634-1	R1769	C-CARBON R	RN72K1J-103JE	435031034R1		1
DG9634-1	R1770	C-CARBON R	RN72K1J-473JE	435034734R1		1
DG9634-1	R1771	C-CARBON R	RN72K1J-000JE	435030004R1		1
DG9634-1	R1772	C-CARBON R	RN72K1J-273JE	435032734R1	CEC Pull UP	1
DG9634-1	R1777	C-CARBON R	RN72K1J-221JE	435032214R1		1
DG9634-1	R1778	C-CARBON R	RN72K1J-473JE	435034734R1		1
DG9634-1	R1779	C-CARBON R	RN72K1J-221JE	435032214R1		1
DG9634-1	R1780	C-CARBON R	RN72K1J-103JE	435031034R1		1
DG9634-1	R1781	C-CARBON R	RN72K1J-221JE	435032214R1		1
DG9634-1	R1782	C-CARBON R	RN72K1J-221JE	435032214R1		1
DG9634-1	R1783	C-CARBON R	RN72K1J-472JE	435034724R1		1
DG9634-1	R1784	C-CARBON R	RN72K1J-221JE	435032214R1		1
DG9634-1	R1785	C-CARBON R	RN72K1J-273JE	435032734R1		1
DG9634-1	R1786	C-CARBON R	RN72K1J-221JE	435032214R1		1
DG9634-1	R1787	C-CARBON R	RN72K1J-221JE	435032214R1		1
DG9634-1	R1788	C-CARBON R	RN72K1J-103JE	435031034R1		1
DG9634-1	R1789	C-CARBON R	RN72K1J-221JE	435032214R1		1

DG9634-1	R1798	C-CARBON R	RN72K1J-473JE	435034734R1		1
DG9634-1	R1799	C-CARBON R	RN72K1J-473JE	435034734R1		1
DG9634-1	R1800	C-CARBON R	RN72K1J-473JE	435034734R1		1
DG9634-1	R1801	C-CARBON R	RN72K1J-221JE	435032214R1		1
DG9634-1	R1803	C-CARBON R	RN72K1J-333JE	435033334R1		1
DG9634-1	R1804	C-CARBON R	RN72K1J-472JE	435034724R1		1
DG9634-1	R1805	C-CARBON R	RN72K1J-272JE	435032724R1		1
DG9634-1	R1806	C-CARBON R	RN72K1J-472JE	435034724R1		1
DG9634-1	R1807	C-CARBON R	RN72K1J-272JE	435032724R1		1
DG9634-1	R1808	C-CARBON R	RN72K1J-221JE	435032214R1		1
DG9634-1	R1809	C-CARBON R	RN72K1J-473JE	435034734R1		1
DG9634-1	R1810	C-CARBON R	RN72K1J-822JE	435038224R1	BAND	1
DG9634-1	R1811	C-CARBON R	RN72K1J-272JE	435032724R1	BAND	1
DG9634-1	R1813	C-CARBON R	RN72K1J-000JE	435030004R1	INT1	1
DG9634-1	R1815	C-CARBON R	RN72K1J-000JE	435030004R1	INT2	1
DG9634-1	R1817	C-CARBON R	RN72K1J-000JE	435030004R1	INT3	1
DG9634-1	R1819	C-CARBON R	RN72K1J-000JE	435030004R1	INT4	1
DG9634-1	R1820	C-CARBON R	RN72K1J-101JE	435031014R1		1
DG9634-1	R1821	C-CARBON R	RN72K1J-103JE	435031034R1		1
DG9634-1	R1822	C-CARBON R	RN72K1J-224JE	435032244R1		1
DG9634-1	R1823	C-CARBON R	RN72K1J-101JE	435031014R1		1
DG9634-1	R1824	C-CARBON R	RN72K1J-000JE	435030004R1		1
DG9634-1	R1828	C-CARBON R	RN72K1J-222JE	435032224R1		1
DG9634-1	R1829	C-CARBON R	RN72K1J-222JE	435032224R1		1
DG9634-1	R1830	C-CARBON R	RN72K1J-473JE	435034734R1		1
DG9634-1	R1831	C-CARBON R	RN72K1J-473JE	435034734R1		1
DG9634-1B	R1832	C-CARBON R	RN72K1J-272JE	435032724R1	DVD_REG	1
DG9634-1A	R1833	C-CARBON R	RN72K1J-103JE	435031034R1	DVD_REG	1
DG9634-1	R1834	C-CARBON R	RN72K1J-272JE	435032724R1	CHG_ADJ	1
DG9634-1	R1835	C-CARBON R	RN72K1J-272JE	435032724R1	CHG_ADJ	1
DG9634-1	R1836	C-CARBON R	RN72K1J-563JE	435035634R1		1
DG9634-1	R1837	C-CARBON R	RN72K1J-104JE	435031044R1		1
DG9634-1	R1838	C-CARBON R	RN72K1J-104JE	435031044R1		1

DG9634-1	R1840	C-CARBON R	RN72K1J-000JE	435030004R1	1
DG9634-1	R1843	C-CARBON R	RN72K1J-104JE	435031044R1	1
DG9634-1	R1844	C-CARBON R	RN72K1J-104JE	435031044R1	
DG9634-1	R1851	C-CARBON R	RN72K1J-103JE	435031034R1	1
DG9634-1	R1852	C-CARBON R	RN72K1J-102JE	435031024R1	1
DG9634-1	R1853	C-CARBON R	RN72K1J-102JE	435031024R1	1
DG9634-1	R1854	C-CARBON R	RN72K1J-102JE	435031024R1	1
DG9634-1	R1855	C-CARBON R	RN72K1J-472JE	435034724R1	1
DG9634-1	R1856	C-CARBON R	RN72K1J-472JE	435034724R1	1
DG9634-1	R1857	C-CARBON R	RN72K1J-000JE	435030004R1	1
DG9634-1	R1858	C-CARBON R	RN72K1J-472JE	435034724R1	1
DG9634-1	R1859	C-R NET	RM7LJ470X04	43484747004R2	1
DG9634-1	R1860	C-R NET	RM7LJ470X04	43484747004R2	1
DG9634-1	R1861	C-R NET	RM7LJ470X04	43484747004R2	1
DG9634-1	R1862	C-R NET	RM7LJ470X04	43484747004R2	1
DG9634-1	R1863	C-R NET	RM7LJ470X04	43484747004R2	1
DG9634-1	R1864	C-R NET	RM7LJ470X04	43484747004R2	1
DG9634-1	R1865	C-R NET	RM7LJ470X04	43484747004R2	1
DG9634-1	R1866	C-R NET	RM7LJ470X04	43484747004R2	1
DG9634-1	R1867	C-R NET	RM7LJ470X04	43484747004R2	1
DG9634-1	R1868	C-R NET	RM7LJ470X04	43484747004R2	1
DG9634-1	R1869	C-R NET	RM7LJ470X04	43484747004R2	1
DG9634-1	R1870	C-R NET	RM7LJ470X04	43484747004R2	1
DG9634-1	R1871	C-R NET	RM7LJ470X04	43484747004R2	1
DG9634-1	R1909	C-CARBON R	RN72K1J-471JE	435034714R1	1
DG9634-1	R1910	C-CARBON R	RN72K1J-102JE	435031024R1	1
DG9634-1	R1911	C-CARBON R	RN72K1J-392JE	435033924R1	1
DG9634-1	R1912	C-CARBON R	RN72K1J-392JE	435033924R1	1
DG9634-1	R1913	C-CARBON R	RN72K1J-682JE	435036824R1	1
DG9634-1	R2004	C-CARBON R	RN72K1J-750JE	435037504R1	1
DG9634-1	R2005	C-CARBON R	RN72K1J-750JE	435037504R1	1
DG9634-1	R2006	C-CARBON R	RN72K1J-750JE	435037504R1	1
DG9634-1	R2007	C-CARBON R	RN72K1J-103JE	435031034R1	1

DG9634-1	R2008	C-CARBON R	RN72K1J-750JE	435037504R1		1
DG9634-1	R2009	C-CARBON R	RN72K1J-750JE	435037504R1		1
DG9634-1	R2010	C-CARBON R	RN72K1J-750JE	435037504R1		1
DG9634-1	R2011	C-CARBON R	RN72K1J-103JE	435031034R1		1
DG9634-1	R2012	C-CARBON R	RN72K1J-750JE	435037504R1		1
DG9634-1	R2013	C-CARBON R	RN72K1J-750JE	435037504R1		1
DG9634-1	R2014	C-CARBON R	RN72K1J-750JE	435037504R1		1
DG9634-1	R2015	C-CARBON R	RN72K1J-000JE	435030004R1		1
DG9634-1	R2016	C-CARBON R	RN72K1J-000JE	435030004R1		1
DG9634-1	R2017	C-CARBON R	RN72K1J-000JE	435030004R1		1
DG9634-1	R2040	C-CARBON R	RN72K1J-000JE	435030004R1		1
DG9634-1	R2041	C-CARBON R	RN72K1J-000JE	435030004R1		1
DG9634-1	R2045	C-CARBON R	RN72K1J-000JE	435030004R1		1
DG9634-1	R2046	C-CARBON R	RN72K1J-000JE	435030004R1		1
DG9634-1	R2047	C-CARBON R	RN72K1J-000JE	435030004R1		1
DG9634-1	R2048	C-CARBON R	RN72K1J-000JE	435030004R1		1
DG9634-1	R2049	C-CARBON R	RN72K1J-000JE	435030004R1		1
DG9634-1	R2050	C-CARBON R	RN72K1J-000JE	435030004R1		1
DG9634-1	R2051	C-CARBON R	RN72K1J-000JE	435030004R1		1
DG9634-1	U1402	PHT CP	GP1FAV31TK0F	24120157	N	1
DG9634-1	X1581	CRYSTAL	TSX-3225-27MHz	3010465R2	N	1
DG9634-1	X1701	CERA LOCK	CR06000-CG-K0R	3010462R2	N	1

U02	Display circuit PC board assy	NADIS-9648-1A/-1C	1H554548-1A/-1C
U03	Mecha. Control PC board assy	NADG-9649-1A/-1C	1H554549-1A/-1C
U04	Audio output terminal PC board assy	NAAF-9650-1A/-1C	1H554550-1A/-1C
U05	Standby switch PC board assy	NASW-9652-1A/-1C	1H554552-1A/-1C
U06	Key operation PC board assy	NASW-9653-1A/-1C	1H554553-1A/-1C
U07	DISC Operation PC board assy	NASW-9654-1A/-1C	1H554554-1A/-1C
U08	Illumination PC board assy	NADIS-9656-1A/-1C	1H554556-1A/-1C
U09	Loading motor PC board assy	NAETC-9657-1A/-1C	1H554557-1A/-1C
U10	Roulette motor PC board assy	NAETC-9659-1A/-1C	1H554559-1A/-1C

U11	AC Inlet terminal PC board	NAETC-9661-1A/-1C	1H554561-1A/-1C
U12	DISC Sensor PC board assy	NAETC-9662-1A/-1C	1H554562-1A/-1C

	NO.	PART NAME	DESCRIPTION	PART NUMBER	REMARKS	Q'TY
DIS9648-1	C4001	TF C	ECQ-B50V-331K	374723315T		1
DIS9648-1	C4002	TF C	ECQ-B50V-331K	374723315T		1
DIS9648-1	C4003	TF C	ECQ-B50V-221K	374722215T		1
DIS9648-1	C4004	TF C	ECQ-B50V-221K	374722215T		1
DIS9648-1	C4005	TF C	ECQ-B50V-221K	374722215T		1
DIS9648-1	C4006	TF C	ECQ-B50V-221K	374722215T		1
DIS9648-1	C4007	TF C	ECQ-B50V-122J	374721224T		1
DIS9648-1	C4008	TF C	ECQ-B50V-122J	374721224T		1
DIS9648-1	C4009	TF C	ECQ-B50V-272J	374722724T		1
DIS9648-1	C4010	TF C	ECQ-B50V-272J	374722724T		1
DIS9648-1	C4011	UTSP C	CE04W50V 47M(UTSP)	397584707T		1
DIS9648-1	C4012	UTSP C	CE04W50V 47M(UTSP)	397584707T		1
DIS9648-1	C4016	UTSP C	CE04W50V-10M(UTSP)	397581007T		1
DIS9648-1	C4017	TF C	ECQ-V50V-104J	374721044T		1
DIS9648-1	C4018	UTSP C	CE04W10V-470M(UTSP)	397534717T		1
DIS9648-1	C4019	UTSP C	CE04W10V-470M(UTSP)	397534717T		1
DIS9648-1	C4020	TF C	ECQ-V50V-104J	374721044T		1
DIS9648-1	C4021	TF C	ECQ-V50V-104J	374721044T		1
DIS9648-1	C4023	UTSP C	CE04W10V-470M(UTSP)	397534717T		1
DIS9648-1	C4024	TF C	ECQ-V50V-104J	374721044T		1
DIS9648-1	C4025	TF C	ECQ-V50V-104J	374721044T		1
DIS9648-1	C4026	TF C	ECQ-V50V-104J	374721044T		1
DIS9648-1	C4027	UTSP C	CE04W16V-470M(UTSP)	397544717T		1
DIS9648-1	C4028	UTSP C	CE04W16V-470M(UTSP)	397544717T		1
DIS9648-1	C4029	UTSP C	CE04W16V-470M(UTSP)	397544717T		1
DIS9648-1	C4030	UTSP C	CE04W16V-470M(UTSP)	397544717T		1
DIS9648-1	C4031	VR C	CE04W16V-1000M(VR)	394641027T		1
DIS9648-1	C4032	C-CERA C	CC725CH1H-101J1	342101014R1		1
DIS9648-1	C4033	C-CERA C	CK725F1E-104Z1	332161040R1		1

DIS9648-1	C4034	C-CERA C	CK725F1E-104Z1	332161040R1	1
DIS9648-1	C4036	TF C	ECQ-B50V-102J	374721024T	1
DIS9648-1	C4037	TF C	ECQ-B50V-102J	374721024T	1
DIS9648-1	C4038	TF C	ECQ-B50V-102J	374721024T	1
DIS9648-1	C4039	TF C	ECQ-B50V-102J	374721024T	1
DIS9648-1	C4040	TF C	ECQ-V50V-104J	374721044T	1
DIS9648-1	C4046	C-CERA C	CK725F1A-105Z1	332181050R1	1
DIS9648-1	C4047	TF C	ECQ-B50V-102J	374721024T	1
DIS9648-1	C7005	C-CERA C	CK725B1H-223K1	332102235R1	1
DIS9648-1	C7006	C-CERA C	CK725F1E-104Z1	332161040R1	1
DIS9648-1	C7010	ELECT C	CE04W16V-47M	355744709T	1
DIS9648-1	C7011	C-CERA C	CK725B1H-223K1	332102235R1	1
DIS9648-1	C7013	C-CERA C	CK725F1E-104Z1	332161040R1	1
DIS9648-1	C7021	C-CERA C	CK725F1E-104Z1	332161040R1	1
DIS9648-1	C7022	ELECT C	CE04W16V-100M	355741019T	1
DIS9648-1	C7023	C-CERA C	CK725F1E-104Z1	332161040R1	1
DIS9648-1	C7024	ELECT C	CE04W16V-100M	355741019T	1
DIS9648-1	C7025	C-CERA C	CK725F1E-104Z1	332161040R1	1
DIS9648-1	C7026	C-CERA C	CK725F1E-104Z1	332161040R1	1
DIS9648-1	C7027	C-CERA C	CK725F1E-104Z1	332161040R1	1
DIS9648-1	C7028	TF C	ECQ-B50V-472J	374724724T	1
DIS9648-1	C8001	ELECT C	CE04W50V-10M	355781009T	1
DIS9648-1	C8002	C-CERA C	CK725F1E-104Z1	332161040R1	1
DIS9648-1	C8005	C-CERA C	CK725F1E-104Z1	332161040R1	1
DIS9648-1	C8006	C-CERA C	CC725CH1H-102J1	342101024R1	1
DIS9648-1	C8007	ELECT C	CE04W16V-10M	355741009T	1
DIS9648-1	C8008	C-CERA C	CC725CH1H-102J1	342101024R1	1
DIS9648-1	C8010	C-CERA C	CK725F1E-104Z1	332161040R1	1
DIS9648-1	C8011	C-CERA C	CK725F1E-104Z1	332161040R1	1
DIS9648-1	C8012	C-CERA C	CK725F1E-104Z1	332161040R1	1
DIS9648-1	C8013	C-CERA C	CK725F1E-104Z1	332161040R1	1
DIS9648-1	C8014	C-CERA C	CK725F1E-104Z1	332161040R1	1
DIS9648-1	C8015	C-CERA C	CK725F1E-104Z1	332161040R1	1

DIS9648-1	C8016	C-CERA C	CK725F1E-104Z1	332161040R1	1
DIS9648-1	C8017	C-CERA C	CK725F1E-104Z1	332161040R1	1
DIS9648-1	C8018	C-CERA C	CK725F1E-104Z1	332161040R1	1
DIS9648-1	C8021	C-CERA C	CC725CH1H-102J1	342101024R1	1
DIS9648-1	C8023	C-CERA C	CK725F1E-104Z1	332161040R1	1
DIS9648-1	C8025	C-CERA C	CK725F1E-104Z1	332161040R1	1
DIS9648-1	C8026	C-CERA C	CK725F1E-104Z1	332161040R1	1
DIS9648-1	C8027	C-CERA C	CC725CH1H-330J1	342103304R1	1
DIS9648-1	C8029	C-CERA C	CK725F1E-104Z1	332161040R1	1
DIS9648-1	C8030	C-CERA C	CK725F1E-104Z1	332161040R1	1
DIS9648-1	C8031	VR C	CE04W16V-100M(VR)	394641017T	1
DIS9648-1	C8032	C-CERA C	CK725F1E-104Z1	332161040R1	1
DIS9648-1	C8033	CERA C	CK45F50V-223Z	335622230T	1
DIS9648-1	C8034	CERA C	CK45F50V-223Z	335622230T	1
DIS9648-1	C8035	CERA C	CK45F50V-223Z	335622230T	1
DIS9648-1	C8036	CERA C	CK45F50V-223Z	335622230T	1
DIS9648-1	C8037	CERA C	CK45F50V-223Z	335622230T	1
DIS9648-1	C8038	C-CERA C	CK725F1H-104Z1	332151040R1	1
DIS9648-1	C8039	C-CERA C	CK725F1E-104Z1	332161040R1	1
DIS9648-1	C8051	ELECT C	CE04W6.3V-100M	355721019T	1
DIS9648-1	C8052	ELECT C	CE04W6.3V-100M	355721019T	1
DIS9648-1	D4001	C-DIODE	1SS352	223234R2	1
DIS9648-1	D4001 or	C-DIODE	1SS355	223269R2	(1)
DIS9648-1	D4001 or	C-DIODE	KDS4148U	223283R2	(1)
DIS9648-1	D4001 or	C-DIODE	MA2J111	223279R2	(1)
DIS9648-1	D4001 or	C-DIODE	MA2J1110GL	223302R2	(1)
DIS9648-1	D7002	ZENER D	UDZS 2.7B	224550270R2	1
DIS9648-1	D7003	ZENER D	UDZS4.3B	224550430R2	1
DIS9648-1	D7004	C-DIODE	1SS352	223234R2	1
DIS9648-1	D7004 or	C-DIODE	1SS355	223269R2	(1)
DIS9648-1	D7004 or	C-DIODE	KDS4148U	223283R2	(1)
DIS9648-1	D7004 or	C-DIODE	MA2J111	223279R2	(1)
DIS9648-1	D7004 or	C-DIODE	MA2J1110GL	223302R2	(1)

DIS9648-1	D7005	C-DIODE	1SS352	223234R2		1
DIS9648-1	D7005 or	C-DIODE	1SS355	223269R2		(1)
DIS9648-1	D7005 or	C-DIODE	KDS4148U	223283R2		(1)
DIS9648-1	D7005 or	C-DIODE	MA2J111	223279R2		(1)
DIS9648-1	D7005 or	C-DIODE	MA2J1110GL	223302R2		(1)
DIS9648-1	D8001	LED	SCB3318E-D	225481	N	1
DIS9648-1	D8001A	HOLDER	(LED)LA-5-6	27191190		1
DIS9648-1	D8002	ZENER D	UDZS5.6B	224550560R2		1
DIS9648-1	D8003	LED	SCB3318E-D	225481	N	1
DIS9648-1	D8003A	HOLDER	(LED)LA-5-6	27191190		1
DIS9648-1	D8004	LED	SLI-343URC3F(S,T,U,V)	225483	N	1
DIS9648-1	D8005	C-DIODE	1SS352	223234R2		1
DIS9648-1	D8005 or	C-DIODE	1SS355	223269R2		(1)
DIS9648-1	D8005 or	C-DIODE	KDS4148U	223283R2		(1)
DIS9648-1	D8005 or	C-DIODE	MA2J111	223279R2		(1)
DIS9648-1	D8005 or	C-DIODE	MA2J1110GL	223302R2		(1)
DIS9648-1	E4001	WS CLAMP	CB-71683(L=50)	260261		1
DIS9648-1	L4001	EMIFIL	BK1608LM182-T	230958R1		1
DIS9648-1	L901	CORE	TR-25-15-12(Dot)	230997		1
DIS9648-1	P1401B	SOCKET	NSCT-15P2406	25052509		1
DIS9648-1	P1703B	SOCKET	NSCT-31P2265	25052368	N	1
DIS9648-1	P1703B or	SOCKET	9615S-31C-PP	25053319	N	(1)
DIS9648-1	P4004	PIN JACK	NPJ-2PDRW435	25045628		1
DIS9648-1	P4005	ST JACK	SM0505-0021	25045857		1
DIS9648-1	P4901	PLUG	NPLG-3P131	25055147		1
DIS9648-1	P7002A	SOCKET	NSCT-7P2100	25052203		1
DIS9648-1	P7002B	SOCKET	NSCT-7P2137	25052240		1
DIS9648-1	P7005	SOCKET AS	NSAS-4P0867	2002E390415		1
DIS9648-1	P7005A	PLUG	NPLG-2P130	25055146		1
DIS9648-1	P7009	SOCKET AS	NSAS-4P0754	2002A390420UL		1
DIS9648-1	P7009A	PLUG	NPLG-2P349	25055366	PH-SIDE POST	1
DIS9648-1	P7018	SOCKET AS	NSAS-18P1766	2002E391815AUL	N	1
DIS9648-1	P7018A	PLUG	NPLG-9P356	25055373		1

DIS9648-1	P7019	SOCKET AS	NSAS-14P0954	2002E391415UL		1
DIS9648-1	P7019A	PLUG	NPLG-7P354	25055371		1
DIS9648-1	P8002	SOCKET AS	NSAS-4P1767	200EE390415UL	N	1
DIS9648-1	P8005	SOCKET AS	NSAS-10P1438	200EE391006UL		1
DIS9648-1	P8008	PLUG	NPLG-9P137	25055153	ph top	1
DIS9648-1	P8008A	SOCKET AS	NSAS-18P1768	2002E391805UL	N	1
DIS9648-1	P8012	SOCKET AS	NSAS-8P1012	2009990721UL		1
DIS9648-1	P8012A	PLUG	NPLG-4P132	25055148		1
DIS9648-1A	P901A	AC INLET	NPLG-2P956	25056006	<MDD>	1
DIS9648-1C	P901A	AC INLET	NPLG-2P977	25056027	<MUA>	1
DIS9648-1	P905	SOCKET AS	NSAS-4P1779	2009991139UL	N L=230	1
DIS9648-1	Q4001	IC	NJM4580M-D	22241448R2		1
DIS9648-1	Q4002	IC	NJM4580M-D	22241448R2		1
DIS9648-1	Q4003	IC	NJM4580M-D	22241448R2		1
DIS9648-1	Q4004	IC	NJM4580M-D	22241448R2		1
DIS9648-1	Q4005	TR	2SD655-E	2211705T		1
DIS9648-1	Q4006	TR	2SD655-E	2211705T		1
DIS9648-1	Q4007	TR	2SD655-E	2211705T		1
DIS9648-1	Q4008	TR	2SD655-E	2211705T		1
DIS9648-1	Q4009	IC	TC7SHU04FU	22241638R2		1
DIS9648-1	Q4010	IC	WM8718SEDS/R	22241991R2		1
DIS9648-1	Q4011	IC	78M05(NJM78M05FA)	222780055JRC		1
DIS9648-1	Q4012	TR	KRA107S	2216350R2		1
DIS9648-1	Q4012 or	TR	RN2407(TE85L_F)	2216360R2		(1)
DIS9648-1	Q4014	TR	KRC107S	2216340R2		1
DIS9648-1	Q4014 or	TR	RN1407	2216260R2		(1)
DIS9648-1	Q4015	TR	KRC107S	2216340R2		1
DIS9648-1	Q4015 or	TR	RN1407	2216260R2		(1)
DIS9648-1	Q4016	TR	2SC2712-GR	2213145R2		1
DIS9648-1	Q4017	IC	S-812C33AUA-C2N	22242222R2		1
DIS9648-1	Q4018	TR	KRC107S	2216340R2		1
DIS9648-1	Q4018 or	TR	RN1407	2216260R2		(1)
DIS9648-1	Q4019	TR	KRC107S	2216340R2		1

DIS9648-1	Q4019 or	TR	RN1407	2216260R2	(1)
DIS9648-1	Q4020	TR	2SC2712-GR	2213145R2	1
DIS9648-1	Q7001	TR	KRC107S	2216340R2	1
DIS9648-1	Q7001 or	TR	RN1407	2216260R2	(1)
DIS9648-1	Q7002	TR	KRC107S	2216340R2	1
DIS9648-1	Q7002 or	TR	RN1407	2216260R2	(1)
DIS9648-1	Q7003	PHT INT	GP2S28	24190046	1
DIS9648-1	Q7007	TR	KRC107S	2216340R2	1
DIS9648-1	Q7007 or	TR	RN1407	2216260R2	(1)
DIS9648-1	Q7008	TR	KRC107S	2216340R2	1
DIS9648-1	Q7008 or	TR	RN1407	2216260R2	(1)
DIS9648-1	Q7009	PHT CP	RPI-576	24120107	1
DIS9648-1	Q7010	IC	TA7291SG(5_J)	22240239	1
DIS9648-1	Q7013	TR	KRC107S	2216340R2	1
DIS9648-1	Q7013 or	TR	RN1407	2216260R2	(1)
DIS9648-1	Q7014	IC	TA7291SG(5_J)	22240239	1
DIS9648-1	Q7015	TR	2SA1162-GR	2214375R2	1
DIS9648-1	Q7016	TR	KRA107S	2216350R2	1
DIS9648-1	Q7016 or	TR	RN2407(TE85L_F)	2216360R2	(1)
DIS9648-1	Q7017	TR	2SD655-E	2211705T	1
DIS9648-1	Q7017 or	TR	2SD655-F	2211706T	(1)
DIS9648-1	Q7018	TR	2SD655-E	2211705T	1
DIS9648-1	Q7018 or	TR	2SD655-F	2211706T	(1)
DIS9648-1	Q7019	IC	TC74VHCT08AFT (EKJ)	22274008G1R2TO	1
DIS9648-1	Q8001	FL TUBE	HNV-12SM34	212236	1
DIS9648-1	Q8001A	HOLDER	(FL)	27191195	1
DIS9648-1	Q8001B	SCREW	3TTB+6B(3BC)	838430068GR	2
DIS9648-1	Q8002	TR	2SC2712-GR	2213145R2	1
DIS9648-1	Q8003	IC	MPD780232GC-710-8BT-A	22242286R3	1
DIS9648-1	Q8004	TR	2SC2712-GR	2213145R2	1
DIS9648-1	Q8005	TR	KRC107S	2216340R2	1
DIS9648-1	Q8005 or	TR	RN1407	2216260R2	(1)
DIS9648-1	Q8006	REMO SENS	GPIUX311QS	24130015	N 1

DIS9648-1	Q8007	TR	KRC107S	2216340R2	1
DIS9648-1	Q8007 or	TR	RN1407	2216260R2	(1)
DIS9648-1	Q8051	IC	MPC29M33AT-E1-A	22278033EAR2NE	1
DIS9648-1	R4001	C-CARBON R	RN72K1J-122JE	435031224R1	1
DIS9648-1	R4002	C-CARBON R	RN72K1J-122JE	435031224R1	1
DIS9648-1	R4003	C-CARBON R	RN72K1J-122JE	435031224R1	1
DIS9648-1	R4004	C-CARBON R	RN72K1J-122JE	435031224R1	1
DIS9648-1	R4005	C-CARBON R	RN72K1J-102JE	435031024R1	1
DIS9648-1	R4006	C-CARBON R	RN72K1J-102JE	435031024R1	1
DIS9648-1	R4007	C-CARBON R	RN72K1J-102JE	435031024R1	1
DIS9648-1	R4008	C-CARBON R	RN72K1J-102JE	435031024R1	1
DIS9648-1	R4009	C-CARBON R	RN72K1J-472JE	435034724R1	1
DIS9648-1	R4010	C-CARBON R	RN72K1J-472JE	435034724R1	1
DIS9648-1	R4011	C-CARBON R	RN72K1J-472JE	435034724R1	1
DIS9648-1	R4012	C-CARBON R	RN72K1J-472JE	435034724R1	1
DIS9648-1	R4013	C-CARBON R	RN72K1J-103JE	435031034R1	1
DIS9648-1	R4014	C-CARBON R	RN72K1J-103JE	435031034R1	1
DIS9648-1	R4015	C-CARBON R	RN72K1J-103JE	435031034R1	1
DIS9648-1	R4016	C-CARBON R	RN72K1J-103JE	435031034R1	1
DIS9648-1	R4017	C-CARBON R	RN72K1J-152JE	435031524R1	1
DIS9648-1	R4018	C-CARBON R	RN72K1J-152JE	435031524R1	1
DIS9648-1	R4019	C-CARBON R	RN72K1J-223JE	435032234R1	1
DIS9648-1	R4020	C-CARBON R	RN72K1J-223JE	435032234R1	1
DIS9648-1	R4021	C-CARBON R	RN72K1J-223JE	435032234R1	1
DIS9648-1	R4022	C-CARBON R	RN72K1J-223JE	435032234R1	1
DIS9648-1	R4023	C-CARBON R	RN72K1J-223JE	435032234R1	1
DIS9648-1	R4024	C-CARBON R	RN72K1J-223JE	435032234R1	1
DIS9648-1	R4025	C-CARBON R	RN72K1J-223JE	435032234R1	1
DIS9648-1	R4026	C-CARBON R	RN72K1J-223JE	435032234R1	1
DIS9648-1	R4027	C-CARBON R	RN72K1J-152JE	435031524R1	1
DIS9648-1	R4028	C-CARBON R	RN72K1J-152JE	435031524R1	1
DIS9648-1	R4029	C-CARBON R	RN72K1J-152JE	435031524R1	1
DIS9648-1	R4030	C-CARBON R	RN72K1J-152JE	435031524R1	1

DIS9648-1	R4033	C-CARBON R	RN72K1J-103JE	435031034R1	1
DIS9648-1	R4034	C-CARBON R	RN72K1J-103JE	435031034R1	1
DIS9648-1	R4035	C-CARBON R	RN72K1J-224JE	435032244R1	1
DIS9648-1	R4036	C-CARBON R	RN72K1J-224JE	435032244R1	1
DIS9648-1	R4037	C-CARBON R	RN72K1J-221JE	435032214R1	1
DIS9648-1	R4038	C-CARBON R	RN72K1J-221JE	435032214R1	1
DIS9648-1	R4039	C-CARBON R	RN72K1J-222JE	435032224R1	1
DIS9648-1	R4040	C-CARBON R	RN72K1J-222JE	435032224R1	1
DIS9648-1	R4041	C-CARBON R	RN72K1J-222JE	435032224R1	1
DIS9648-1	R4042	C-CARBON R	RN72K1J-222JE	435032224R1	1
DIS9648-1	R4043	C-CARBON R	RN72K1J-221JE	435032214R1	1
DIS9648-1	R4044	C-CARBON R	RN72K1J-221JE	435032214R1	1
DIS9648-1	R4045	C-CARBON R	RN72K1J-101JE	435031014R1	1
DIS9648-1	R4046	C-CARBON R	RN72K1J-101JE	435031014R1	1
DIS9648-1	R4048	C-CARBON R	RN72K1J-000JE	435030004R1	1
DIS9648-1	R4049	C-CARBON R	RN72K1J-471JE	435034714R1	1
DIS9648-1	R4050	C-CARBON R	RN72K1J-103JE	435031034R1	1
DIS9648-1	R4051	C-CARBON R	RN72K1J-330JE	435033304R1	1
DIS9648-1	R4052	METAL O R	RS1/2WBJ-150	443521514T	1
DIS9648-1	R4053	METAL O R	RS1/2WBJ-150	443521514T	1
DIS9648-1	R4054	C-CARBON R	RN72K1J-474JE	435034744R1	1
DIS9648-1	R4056	C-CARBON R	RN72K1J-472JE	435034724R1	1
DIS9648-1	R4057	C-CARBON R	RN72K1J-224JE	435032244R1	1
DIS9648-1	R4058	C-CARBON R	RN72K1J-000JE	435030004R1	1
DIS9648-1	R4061	C-CARBON R	RN72K1J-471JE	435034714R1	1
DIS9648-1	R4062	C-CARBON R	RN72K1J-000JE	435030004R1	1
DIS9648-1	R4085	C-CARBON R	RN72K1J-221JE	435032214R1	1
DIS9648-1	R4086	C-CARBON R	RN72K1J-221JE	435032214R1	1
DIS9648-1	R4087	C-CARBON R	RN72K1J-221JE	435032214R1	1
DIS9648-1	R4088	C-CARBON R	RN72K1J-221JE	435032214R1	1
DIS9648-1	R4089	C-CARBON R	RN72K1J-000JE	435030004R1	1
DIS9648-1	R4090	C-CARBON R	RN72K1J-332JE	435033324R1	1
DIS9648-1	R4091	C-CARBON R	RN72K1J-103JE	435031034R1	1

DIS9648-1	R4101	C-CARBON R	RN72K1J-470JE	435034704R1	1
DIS9648-1	R4102	C-CARBON R	RN72K1J-470JE	435034704R1	1
DIS9648-1	R4103	C-CARBON R	RN72K1J-470JE	435034704R1	1
DIS9648-1	R4104	C-CARBON R	RN72K1J-470JE	435034704R1	1
DIS9648-1	R4105	C-CARBON R	RN72K1J-470JE	435034704R1	1
DIS9648-1	R4106	C-CARBON R	RN72K1J-470JE	435034704R1	1
DIS9648-1	R4113	METAL O R	RS1/2WBJ-100	443521014T	1
DIS9648-1	R7002	C-CARBON R	RN72K1J-332JE	435033324R1	1
DIS9648-1	R7003	C-CARBON R	RN72K1J-103JE	435031034R1	1
DIS9648-1	R7004	C-CARBON R	RN72K1J-822JE	435038224R1	1
DIS9648-1	R7005	C-CARBON R	RN72K1J-223JE	435032234R1	1
DIS9648-1	R7006	C-CARBON R	RN72K1J-105JE	435031054R1	1
DIS9648-1	R7007	C-CARBON R	RN72K1J-181JE	435031814R1	1
DIS9648-1	R7012	C-CARBON R	RN72K1J-154JE	435031544R1	1
DIS9648-1	R7014	C-CARBON R	RN72K1J-562JE	435035624R1	1
DIS9648-1	R7015	C-CARBON R	RN72K1J-103JE	435031034R1	1
DIS9648-1	R7017	C-CARBON R	RN72K1J-391JE	435033914R1	1
DIS9648-1	R7018	C-CARBON R	RN72K1J-822JE	435038224R1	1
DIS9648-1	R7019	C-CARBON R	RN72K1J-153JE	435031534R1	1
DIS9648-1	R7020	C-CARBON R	RN72K1J-105JE	435031054R1	1
DIS9648-1	R7021	C-CARBON R	RN72K1J-474JE	435034744R1	1
DIS9648-1	R7022	C-CARBON R	RN72K1J-183JE	435031834R1	1
DIS9648-1	R7023	C-CARBON R	RN72K1J-183JE	435031834R1	1
DIS9648-1	R7024	C-CARBON R	RN72K1J-104JE	435031044R1	1
DIS9648-1	R7025	C-CARBON R	RN72K1J-104JE	435031044R1	1
DIS9648-1	R7028	NF CARBON R	R25J-4.7	415470474T	1
DIS9648-1	R7034	C-CARBON R	RN72K1J-222JE	435032224R1	1
DIS9648-1	R7039	C-CARBON R	RN72K1J-104JE	435031044R1	1
DIS9648-1	R7040	C-CARBON R	RN72K1J-104JE	435031044R1	1
DIS9648-1	R7041	NF CARBON R	R25J-4.7	415470474T	1
DIS9648-1	R7042	C-CARBON R	RN72K1J-562JE	435035624R1	1
DIS9648-1	R7043	C-CARBON R	RN72K1J-822JE	435038224R1	1
DIS9648-1	R7045	C-CARBON R	RN72K1J-222JE	435032224R1	1

DIS9648-1	R7047	C-CARBON R	RN72K1J-472JE	435034724R1	1
DIS9648-1	R7048	C-CARBON R	RN72K1J-000JE	435030004R1	1
DIS9648-1	R7050	C-CARBON R	RN72K1J-392JE	435033924R1	1
DIS9648-1	R7055	C-CARBON R	RN72K1J-104JE	435031044R1	1
DIS9648-1	R7056	C-CARBON R	RN72K1J-223JE	435032234R1	1
DIS9648-1	R7057	C-CARBON R	RN72K1J-223JE	435032234R1	1
DIS9648-1	R7104	METAL R	RNU1/2WCJ-4.7	453530474T	1
DIS9648-1	R7502	C-CARBON R	RN72K1J-000JE	435030004R1	1
DIS9648-1	R7503	C-CARBON R	RN72K1J-000JE	435030004R1	1
DIS9648-1	R7504	C-CARBON R	RN72K1J-000JE	435030004R1	1
DIS9648-1	R7505	C-CARBON R	RN72K1J-000JE	435030004R1	1
DIS9648-1	R7506	C-CARBON R	RN72K1J-000JE	435030004R1	1
DIS9648-1	R7507	C-CARBON R	RN72K1J-000JE	435030004R1	1
DIS9648-1	R7509	C-CARBON R	RN72K1J-000JE	435030004R1	1
DIS9648-1	R7511	C-CARBON R	RN72K1J-000JE	435030004R1	1
DIS9648-1	R7512	C-CARBON R	RN72K1J-000JE	435030004R1	1
DIS9648-1	R8001	C-CARBON R	RN72K1J-104JE	435031044R1	1
DIS9648-1	R8009	C-CARBON R	RN72K1J-000JE	435030004R1	1
DIS9648-1	R8014	C-CARBON R	RN72K1J-272JE	435032724R1	1
DIS9648-1	R8017	C-CARBON R	RN72K1J-103JE	435031034R1	1
DIS9648-1	R8018	C-CARBON R	RN72K1J-104JE	435031044R1	1
DIS9648-1	R8019	C-CARBON R	RN72K1J-000JE	435030004R1	1
DIS9648-1	R8020	C-CARBON R	RN72K1J-331JE	435033314R1	1
DIS9648-1	R8021	C-CARBON R	RN72K1J-331JE	435033314R1	1
DIS9648-1	R8022	C-CARBON R	RN72K1J-391JE	435033914R1	1
DIS9648-1	R8023	C-CARBON R	RN72K1J-471JE	435034714R1	1
DIS9648-1	R8024	C-CARBON R	RN72K1J-821JE	435038214R1	1
DIS9648-1	R8025	C-CARBON R	RN72K1J-102JE	435031024R1	1
DIS9648-1	R8026	C-CARBON R	RN72K1J-182JE	435031824R1	1
DIS9648-1	R8027	C-CARBON R	RN72K1J-392JE	435033924R1	1
DIS9648-1	R8028	C-CARBON R	RN72K1J-333JE	435033334R1	1
DIS9648-1	R8029	C-CARBON R	RN72K1J-000JE	435030004R1	1
DIS9648-1	R8030	C-CARBON R	RN72K1J-103JE	435031034R1	1

DIS9648-1	R8031	C-CARBON R	RN72K1J-222JE	435032224R1	1
DIS9648-1	R8032	C-CARBON R	RN72K1J-222JE	435032224R1	1
DIS9648-1	R8033	C-CARBON R	RN72K1J-103JE	435031034R1	1
DIS9648-1	R8034	C-CARBON R	RN72K1J-333JE	435033334R1	1
DIS9648-1	R8035	C-CARBON R	RN72K1J-821JE	435038214R1	1
DIS9648-1	R8036	C-CARBON R	RN72K1J-391JE	435033914R1	1
DIS9648-1	R8037	C-CARBON R	RN72K1J-471JE	435034714R1	1
DIS9648-1	R8038	C-CARBON R	RN72K1J-821JE	435038214R1	1
DIS9648-1	R8039	C-CARBON R	RN72K1J-102JE	435031024R1	1
DIS9648-1	R8040	C-CARBON R	RN72K1J-272JE	435032724R1	1
DIS9648-1	R8041	C-CARBON R	RN72K1J-272JE	435032724R1	1
DIS9648-1	R8042	C-CARBON R	RN72K1J-100JE	435031004R1	1
DIS9648-1	R8043	C-CARBON R	RN72K1J-272JE	435032724R1	1
DIS9648-1	R8044	C-CARBON R	RN72K1J-100JE	435031004R1	1
DIS9648-1	R8045	C-CARBON R	RN72K1J-470JE	435034704R1	1
DIS9648-1	R8046	C-CARBON R	RN72K1J-391JE	435033914R1	1
DIS9648-1	R8047	C-CARBON R	RN72K1J-471JE	435034714R1	1
DIS9648-1	R8048	C-CARBON R	RN72K1J-470JE	435034704R1	1
DIS9648-1	R8049	C-CARBON R	RN72K1J-272JE	435032724R1	1
DIS9648-1	R8050	C-CARBON R	RN72K1J-391JE	435033914R1	1
DIS9648-1	R8051	C-CARBON R	RN72K1J-471JE	435034714R1	1
DIS9648-1	R8052	C-CARBON R	RN72K1J-821JE	435038214R1	1
DIS9648-1	R8053	C-CARBON R	RN72K1J-101JE	435031014R1	1
DIS9648-1	R8054	C-CARBON R	RN72K1J-152JE	435031524R1	1
DIS9648-1	R8055	C-CARBON R	RN72K1J-101JE	435031014R1	1
DIS9648-1	R8056	C-CARBON R	RN72K1J-561JE	435035614R1	1
DIS9648-1	R8057	C-CARBON R	RN72K1J-561JE	435035614R1	1
DIS9648-1	R8058	C-CARBON R	RN72K1J-471JE	435034714R1	1
DIS9648-1	R8060	C-CARBON R	RN72K1J-103JE	435031034R1	1
DIS9648-1	R8501	C-CARBON R	RN72K1J-000JE	435030004R1	1
DIS9648-1	R8502	C-CARBON R	RN72K1J-000JE	435030004R1	1
DIS9648-1	R8503	C-CARBON R	RN72K1J-000JE	435030004R1	1
DIS9648-1	R8504	C-CARBON R	RN72K1J-000JE	435030004R1	1

DIS9648-1	R8506	C-CARBON R	RN72K1J-000JE	435030004R1	1
DIS9648-1	R8507	C-CARBON R	RN72K1J-000JE	435030004R1	1
DIS9648-1	S7001	PUSH SW	NPS-111-S679	25035716	1
DIS9648-1	S7002	PUSH SW	NPS-111-S679	25035716	1
DIS9648-1	S7003	PUSH SW	NPS-111-S679	25035716	1
DIS9648-1	S8010	PUSH SW	NPS-111-S681	25035718T	1
DIS9648-1	S8011	PUSH SW	NPS-111-S681	25035718T	1
DIS9648-1	S8012	PUSH SW	NPS-111-S681	25035718T	1
DIS9648-1	S8013	PUSH SW	NPS-111-S681	25035718T	1
DIS9648-1	S8014	PUSH SW	NPS-111-S681	25035718T	1
DIS9648-1	S8015	PUSH SW	NPS-111-S681	25035718T	1
DIS9648-1	S8016	PUSH SW	NPS-111-S681	25035718T	1
DIS9648-1	S8017	PUSH SW	NPS-111-S681	25035718T	1
DIS9648-1	S8018	PUSH SW	NPS-111-S681	25035718T	1
DIS9648-1	S8019	PUSH SW	NPS-111-S681	25035718T	1
DIS9648-1	S8020	PUSH SW	NPS-111-S681	25035718T	1
DIS9648-1	S8021	PUSH SW	NPS-111-S681	25035718T	1
DIS9648-1	S8022	PUSH SW	NPS-111-S681	25035718T	1
DIS9648-1	S8023	PUSH SW	NPS-111-S681	25035718T	1
DIS9648-1	S8030	PUSH SW	NPS-111-S681	25035718T	1
DIS9648-1	S8031	PUSH SW	NPS-111-S681	25035718T	1
DIS9648-1	S8032	PUSH SW	NPS-111-S681	25035718T	1
DIS9648-1	S8033	PUSH SW	NPS-111-S681	25035718T	1
DIS9648-1	S8036	PUSH SW	NPS-111-S681	25035718T	1
DIS9648-1	X8001	CERA LOCK	CSTLS5M00G56-A0	3010406T	1

ONKYO CORPORATION

Sales & Product Planning Div. : 2-1, Nisshin-cho, Neyagawa-shi, OSAKA 572-8540, JAPAN
Tel: 072-831-8023 Fax: 072-831-8163

ONKYO U.S.A. CORPORATION

18 Park Way, Upper Saddle River, N.J. 07458, U.S.A.
Tel: 201-785-2600 Fax: 201-785-2650 <http://www.us.onkyo.com/>

ONKYO EUROPE ELECTRONICS GmbH

Liegnitzerstrasse 6, 82194 Groebenzell, GERMANY
Tel: +49-8142-4401-0 Fax: +49-8142-4401-555 <http://www.eu.onkyo.com/>

ONKYO EUROPE UK Office

Suite 1, Gregories Court, Gregories Road, Beaconsfield, Buckinghamshire, HP9 1HQ
UNITED KINGDOM Tel: +44-(0)1494-681515 Fax: +44(0)-1494-680452

ONKYO CHINA LIMITED

Units 2102-2107, Metroplaza Tower I, 223 Hing Fong Road, Kwai Chung,
N.T., HONG KONG Tel: 852-2429-3118 Fax: 852-2428-9039
<http://www.ch.onkyo.com/>

